

## FEATURES

- Dries, irons and folds linen lengthwise.
- Folding type: longitudinal.
- Can be equipped with an automatic feeder (optional), allowing a single operator to manage the feeding of items.
- Maximum output up to 290 kg/h.\*
- Adjustable ironing speed up to 18 m/min.\*
- Maximum temperature: 165°C.
- Automatic ironing speed control.
- Automatic cooling of the ironing roller.
- Available in one or two work lanes.
- Intuitive and programmable 7" touchscreen.
- Fume extraction system with automatic fan cleaning.
- Customisable with different accessories.

Key options:

SALIDA POSTERIOR / Rear exit



Recogedor post. + bypass (2/4 vías)  
Rear collector + bypass (2/4 lanes)



SMARTY  
Plegadora prend. pequeñas  
Small garment folder

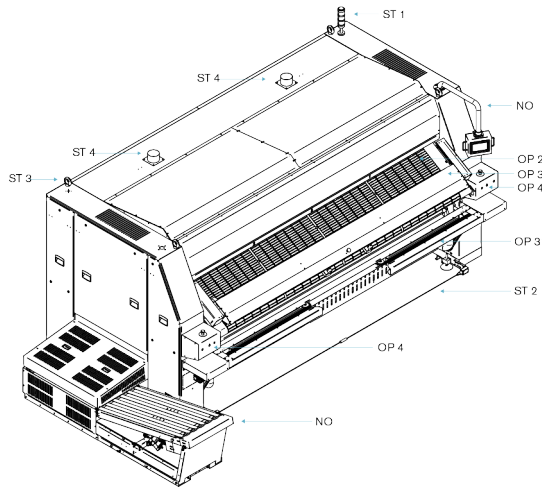


## OPTIONS

- Vacuum belts to help linen feeding
- Automatic 1 lane clamp feeder (needs option of vacuum feeding belts)
- Rear output with table (SP600 H=610 mm, SP800 H=540 mm. Bypass option required)
- Crossfolder CPL-CROSS 260 with stacker
- Crossfolder CPL-CROSS 330 with stacker
- Rear output with motorised table (H=870 mm. Bypass option required)
- Small pieces back collector: 2 lanes for SP (it needs rear exit + bypass option)
- Small pieces back collector: 4 lanes for SP (it needs rear exit + bypass option)
- By pass for rear exit
- Double air pressure for thick linen
- Linen rejection system (dirty or torn)
- Different voltage from 400V 3~ +N 50 Hz
- Maritime packing for SP

GENERAL DATA	UNIT.	SP800-3300
Theoretical production elec/steam	Kg/h	180-220
Theoretical production gas heating*	Kg/h	180-220
Theoretical production radiant gas burner (+20%)*	Kg/h	216-264
Ø Roll	mm	800
Working width	mm	3.300
Height floor-feeding	mm	1.050
Working speed	m/min	3-14
Control type	-	Digital
No. of programs	Nº.	20
MAIN FUNCTIONS		
Drying	-	YES
Ironing	-	YES
Longitudinal folding	-	YES
Cross folding	-	NO
Lateral stacking (Roll-Off or compact stacker)	-	NO
FOLDING		
1 lane - lengthfold	Nº.	1-2
1 lane - crossfold	Nº	NO
2 lanes - lengthfold	Nº	1-2
2 lanes - crossfold	Nº	NO
4 lanes - lengthfold	Nº	NO
4+ lanes - folding	Nº	NO
POWER		
Electric model - Consumption	A	104
Electric model - Heating power	kW	72
Electric model - Total electrical power	kW	74,2
Steam model - Consumption	Kg/h	185
Steam model - Power (max 12 bar)	kW	110
Steam model - Total electrical power	kW	2,2
Liquefied gas (LPG) model - Consumption	m³/h	4,60
Liquefied gas (LPG) model - Power	kW	124,10
Natural gas (NG) model - Consumption	m³/h	13,20
Natural gas (NG) model - Power	kW	124,7
Gas LPG / NG model - Total electrical power	kW	2,2
CONNECTIONS		
Ø Gas inlet	BSP	1"
Ø Steam inlet (12 bar max.)	BSP	1"
Ø Condensed (steam models)	BSP	1/2"
Ø Air inlet	mm	12
DIMENSIONS		
Net width / gross width	mm	4.480 / 4.600
Net depth / gross depth	mm	1.770 / 2.220
Net height / gross height	mm	2.200 / 2.140
Net weight / gross weight	Kg	2.835 / 3.335
Volume	m³	17,45 / 21,85
OTHERS		
Exhaust outlet	Nº	2
Exhaust outlet Ø	mm	160
Air extraction flow rate	m³/h	2 x 1400
Air consumption (6.5 bar)	NI/h	9.000
Noise level	dB	<80

\* 50% residual moisture, 140gr/m² cotton, 100% roller utilization. Gas with atmospheric burner not available on 1000mm models.



- Standard:
- ST 1 - Warning light
  - ST 2 - Emergency stop
  - ST 3 - Lifting eye bolts (crane)
  - ST 4 - Exhaust outlet connection

- Options:
- OP 2 - Vacuum feed belts
  - OP 3 - Feeder: clips
  - OP 31 - Feeder: alignment guides
  - OP 4 - Linen reject (button, for SPE / SP models)
  - OP 6 - Small pieces back collector (2 or 4 lanes)
  - NO - Not available in the SP / S range