



ELECTRONIC CONTROL

Selection between 4 temperatures.
Preset ironing speeds, not adjustable.
No display.



EFFICIENCY

Acoustic comfort: 50-60 dB max.
Minimum space requirement: space saving, suitable for small spaces.
Ideal for processing small quantity of flat linen in facilities like restaurants, guest rooms, hostels.



ROBUSTNESS

Nomex quality coating: resistant to high temperatures (option, standard on ECO-ENERGY).
Panels in grey Skinplate and stainless steel.
Wooden feeding board.
Industrial components, more durable.



OUTSTANDING FEATURES

Large roll contact area with the linen.
Roll lifting control by pedal or automatic roll lifting control by foot cell detection.

Two available models:

- **Standard**: roll with cotton polyester coating.
- **Nomex**: roll with Nomex coating.



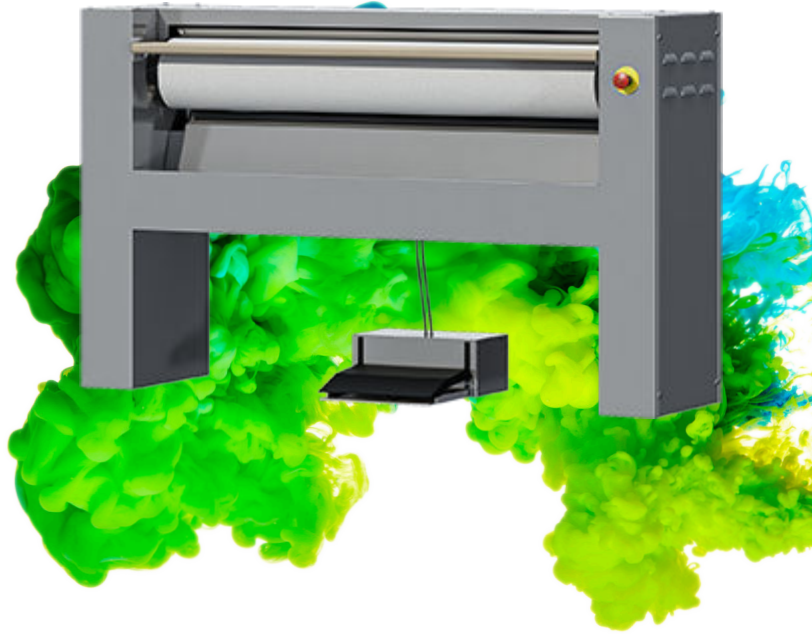
MAINTENANCE

Easy installation: requires only an electrical connection.
Easy access on both sides for maintenance.
Quick and easy dismantling of bearings.



OTHERS

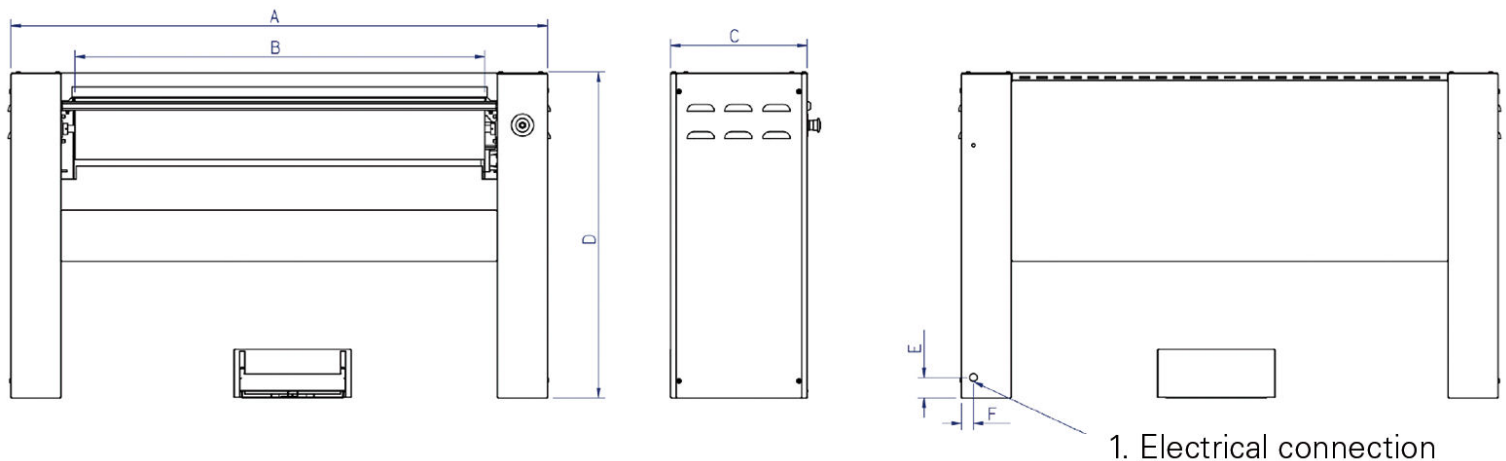
Front feed and return.
Roll ø 180 mm.
Working widths: 1.000mm and 1.200mm.
Electric heating.
CE certification



OPTIONS

- Speed control (except ECO-ENERGY)
- 230V 1 + N 50Hz (except 250mm and ECO-ENERGY)
- 230V 1 + N 60Hz (except 250mm and ECO-ENERGY)
- 230V 3 + N + T 50Hz (250mm)

| GENERAL DETAILS | | UNIT. | PR-1218 |
|--|--|------------|---------------|
| Theoretical production: 20-25 humidity | | Kg/h | 20 |
| | | Lb/h | 44,09 |
| Roll Ø | | mm | 180 |
| | | inch | 7,09 |
| Working width | | mm | 1.200 |
| | | inch | 47,24 |
| Working speed | | m/min | 2.02 |
| | | ft/mn | 6,62 |
| Electronic control | | - | YES |
| Chest motion | | - | Manual |
| POWER | | | |
| Heating power | | Kw | 4 |
| Roll motor power | | Kw | 0,03 |
| Total electric power | | Kw | 4,03 |
| CONNEXIONS | | | |
| Tension 230 V I + N + T | | n° x mm²/A | 3 x 4 / 20A |
| | | n° x AWG/A | 3 x 11 / 20A |
| Tension 230 V III + T | | n° x mm²/A | - |
| | | n° x AWG/A | - |
| Tension 400 V III + N + T | | n° x mm²/A | - |
| | | n° x AWG/A | - |
| DIMENSIONS | | | |
| Net / gross width | | mm | 1.570 / 1.690 |
| | | inch | 62 / 67 |
| Net / gross depth | | mm | 438 / 540 |
| | | inch | 17 / 21 |
| Net / gross height | | mm | 952 / 1.130 |
| | | inch | 37 / 44 |
| Net / gross weight | | Kg | 90 / 110 |
| | | Lb | 198 / 243 |
| Net / gross volume | | m³ | 0,65 / 1,03 |
| | | ft³ | 22,95 / 36,37 |
| OTHERS | | | |
| No. Fume outlet | | Nº | - |
| Ø Fume outlet | | mm | - |
| | | inch | - |
| Air flow | | m³/h | - |
| | | cfm | - |
| Noise Level | | dB | 55 |



| | A | B | C | D | E | F |
|---------|-------|-------|-----|-------|----|-----|
| PR-1018 | 1.694 | 1.447 | 689 | 1.354 | 68 | 785 |
| PR-1218 | 1.694 | 1.447 | 689 | 1.354 | 68 | 785 |