

 **FEATURES****DES-F / DES-F GC**

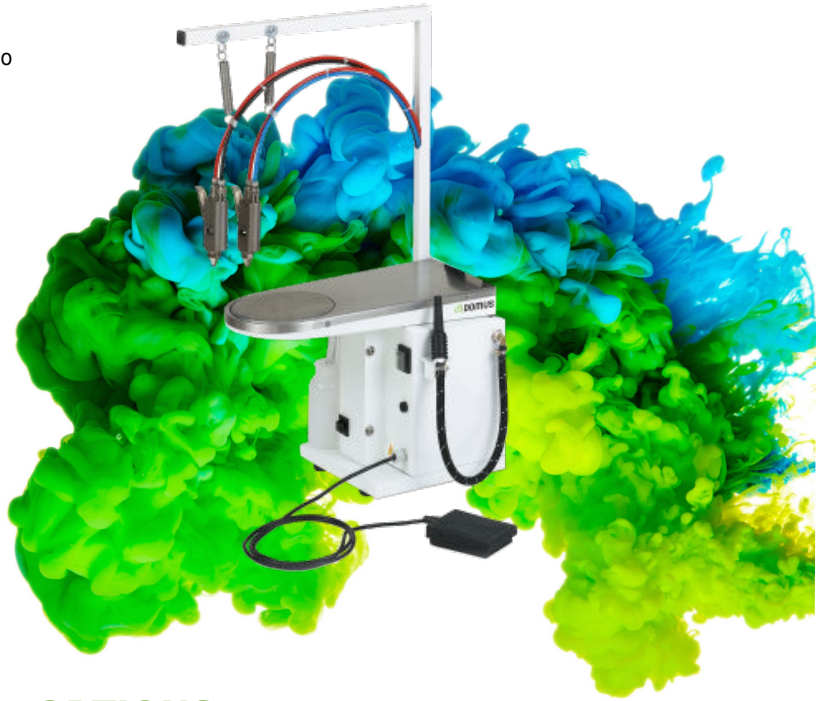
Cold spotting table with built-in suction unit and as option: in-built compressor.

- Featuring two cold spotting guns with independent circuits, two receptacles for liquids, hose support and swinging arm with suction.
- Satinless steel AISI 304 spotting shape.
- Plate dimensions: 800x260x175mm.
- Compressed air required: consumption 200 NI/min, pressure 4-8 bar.
- Electrical connection: 230V I +N / 50-60Hz.
- **New DES-F GC model** with built-in compressor.

MINI-DES

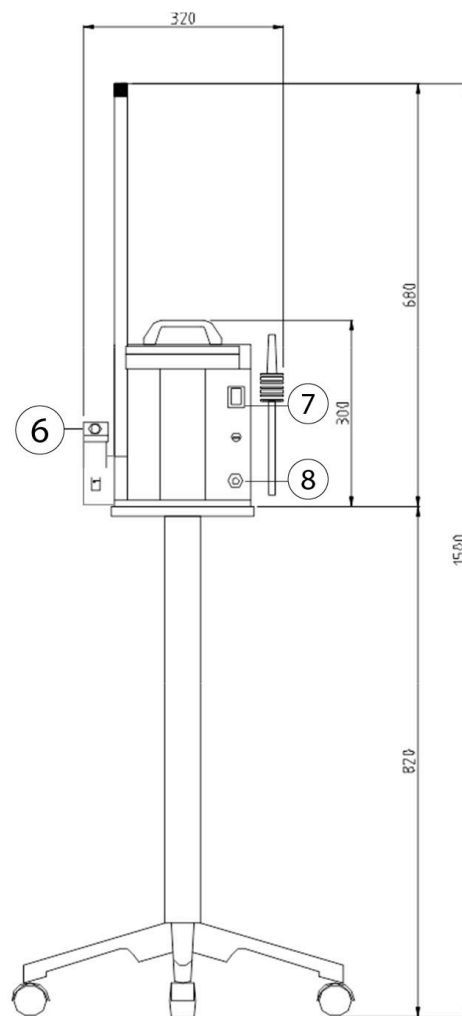
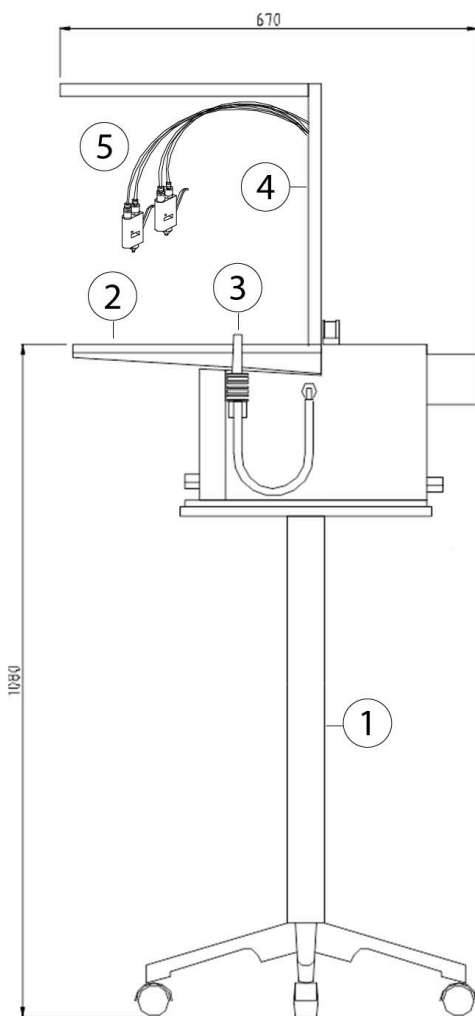
Compact cold spotting table.

- Equipped with two cold spotting guns with independent circuit and two tanks for solvents.
- One working pedal.
- Stainless steel AISI 304 board (400 x 200 x 35 mm).
- Electric connection: 230V I+N / 50-60Hz.
- It needs compressed air: consumption 30 NI/min, air working pressure 6-8 bar.

**OPTIONS**

- Trolley for MINI-DES

GENERAL DETAILS	UNIT.	MINI-DES
Board dimensions	mm	400 x 200 x 35
Boiler	-	NO
Compressor	-	-
Steam gun	-	-
POWER		
Vacuum motor	HP	0,13
Compressor motor	kW	-
CONNECTIONS		
Ø Steam inlet	BSP	-
Ø Condensate outlet	BSP	-
Steam supply pressure	bar	-
Steam working pressure	bar	-
Steam consumption	kg/h	-
Ø Air inlet	BSP	1/4"
Ø Air outlet	mm	
Steam pressure	bar	-
Steam Consumption	Kg/h	6-8
Air Consumption	NI/min	30
DIMENSIONS / PACKING DIMENSIONS		
Net width / Gross width	mm	670 / 650
Net depth / Gross depth	mm	320 / 330
Alto neto / Alto bruto (antena plegada)	mm	680-1.500 / 335
Net weight / Gross weight	Kg	13 / 16
Volume	m ³	0,14 / 0,15
OTHERS		
Voltage	V	230V 1~ 50-60
Sound level	dB	65



1. Trolley (OPT).
2. Plate board.
3. Spotting gun.
4. Antenna.
5. Spotting gun.
6. Liquid collection tank.
7. Switch.
8. Safety lock