



ELECTRONIC PROGRAMMER

PR-1025, PR-1225, PR-1425, PR-2025

Digital screen: precise control of temperature.
Preset ironing speeds, not adjustable.

PR-1425, PR-2025 ECO-ENERGY

Simple and user friendly with an **automatic mode**: automatic management of ironing speed according to the selected temperature.
Digital speed and temperature display.



EFFICIENCY

Acoustic comfort: 65 dB max.
Minimum space requirement: space saving, suitable for small spaces.
Ideal for processing small quantity of flat linen in facilities like restaurants, guest rooms, hostels.



ROBUSTNESS

Nomex quality coating: resistant to high temperatures (option, standard on ECO-ENERGY).
Panels in grey Skinplate and stainless steel.
Wooden feeding board.
Industrial components, more durable.



OUTSTANDING FEATURES

Large roll contact area with the linen.
Roll lifting control by pedal or automatic roll lifting control by foot cell detection.
Two available models:

- **Standard**: roll with cotton polyester coating.
- **Nomex**: roll with Nomex coating.

ECO-ENERGY Models:
Large roll contact area with the linen.
Mode of operation identical to a flatwork ironer: no roll lifting, more ergonomic.
Models equipped with Nomex belts, suction and variable speed inverter, more productivity.
Adjustable speed and temperature.



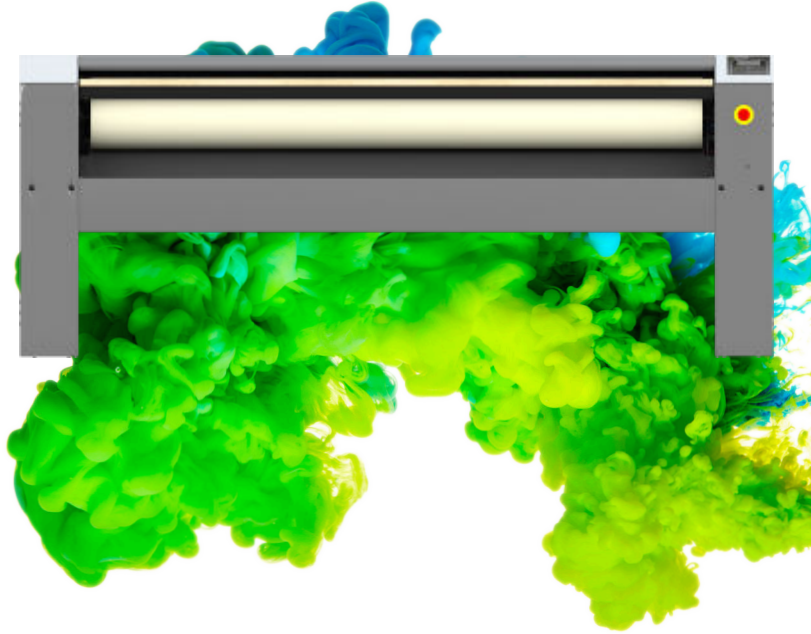
MAINTENANCE

Easy installation: requires only an electrical connection.
Easy access on both sides for maintenance.
Quick and easy dismantling of bearings.



OTHERS

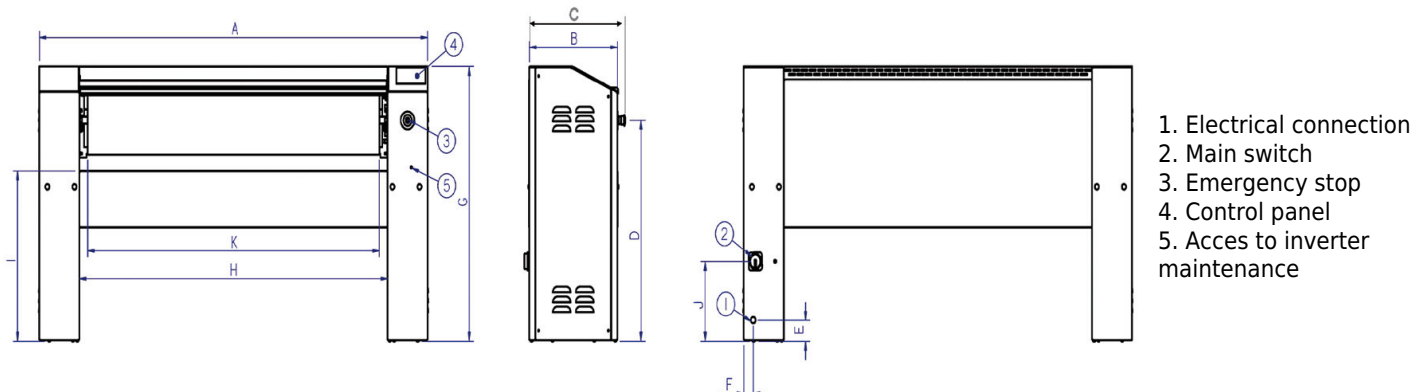
Front feeding and return.
Roll Ø 250 mm.
Working widths: 1.000, 1.200, 1.400 and 2.000 mm.
Electric heating.
CE certification.



OPTIONS

- Pedal control instead of photocell (no need in ECO-ENERGY)
- 230V I + N 50Hz (except PR-2025 ECO-ENERGY)
- 400V +N+T 60Hz
- 440V III No N 60Hz (maritime)

GENERAL DETAILS		UNIT.	PR-1425
Theoretical production: 20-25 humidity		Kg/h	30
		Lb/h	66,14
Roll Ø		mm	250
		inch	9,84
Working width		mm	1.400
		inch	55,12
Working speed		m/min	4.2
		ft/mn	13,77
Electronic control		-	YES
Chest motion		-	Automático
POWER			
Heating power		Kw	7
Roll motor power		Kw	0,18
Total electric power		Kw	7,18
CONNEXIONS			
Tension 230 V I + N + T		nº x mm²/A	3 x 10 / 40A
		nº x AWG/A	3 x 7 / 40A
Tension 230 V III + T		nº x mm²/A	4 x 4 / 20A
		nº x AWG/A	4 x 11 / 20A
Tension 400 V III + N + T		nº x mm²/A	5 x 2,5 / 16A
		nº x AWG/A	5 x 13 / 16A
DIMENSIONS			
Net / gross width		mm	1.862 / 1.890
		inch	73,31 / 73,31
Net / gross depth		mm	484 / 540
		inch	19,06 / 21,26
Net / gross height		mm	985 / 1.130
		inch	38,78 / 44,49
Net / gross weight		Kg	134 / 154
		Lb	295,42 / 339,51
Net / gross volume		m³	0,89 / 1,15
		ft³	31,43 / 40,61
OTHERS			
No. Fume outlet		Nº	-
Ø Fume outlet		mm	-
		inch	-
Air flow		m³/h	-
		cfm	-
Noise Level		dB	55



	A	B	C	D	E	F	G	H	I	J	K
PR-1025	1.462	423	484	791	75	45	985	1.079	610	287	988
PR-1225	1.662	423	484	791	75	45	985	1.279	610	287	1.198
PR-1425	1.862	423	484	791	75	45	985	1.479	610	287	1.398
PR-2025	2.462	423	484	791	75	45	985	2.079	610	287	1.998