

### TOUCH II

User friendly and totally programmable 4,3" microprocessor.  
 USB Connection. Online platform free of charge for programming, telemetry, data analysis...thanks to the IoT.  
 Videos show on display: ads, instructions, (useful for coin laundry).  
 37 languages.

### VERSATILITY

OPL <> COIN - Standard models can be programmed as OPL or coin laundry version, central pay, etc.  
 SINGLE <> STACKED - Models can be stacked on top of a washer or on another dryer.  
 Control panels can be assembled between both drums for better ergonomics.  
 Ideal for multiple solutions: hotels, hostels, campings, coin laundries, facility services (mops), gyms, etc.  
 Wet Cleaning features.

### OUTSTANDING FEATURES

Reduced drying times (less than 45 minutes).

### CONNECTIVITY

IoT - **DOMUSCONNECT** standard.  
 Management of laundries: OPL and COIN.  
 Remote payment.

### EFFICIENCY

Optimised airflow.  
 Axial airflow.  
 Wide fluff filter as drawer.  
 Efficient design.

### ROBUSTNESS

Outer casing in grey skinplate (white lacquered in HPDL model).  
 Robust aluminium door.  
 Industrial fan and powerful airflow.  
 Sturdy construction of the dryer structure and panels.

### OTHERS

Galvanized drum.  
 Electric and gas heated models.  
 Grey skinplate panels.  
 CE approved product



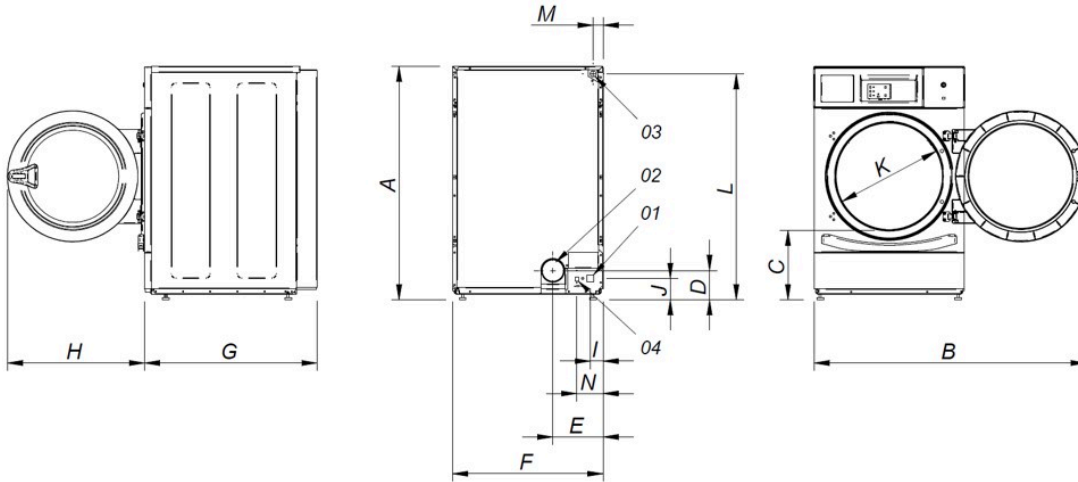
### OPTIONS

- License IoT - DOMUSCONNECT
- Natural gas heated tumble dryer
- Fire suppression system SFEX (only TOUCH II models)
- Plinth for better ergonomics HPW-HPD
- Plinth for better ergonomics in stainless steel for HPW-HPD
- Drum stainless steel AISI 304
- Outer casing stainless steel
- Reverse door opening
- Control panel mounted below (stacked dryer)
- Tropicalized model: protected board (TOUCH II)
- EFFICIENT DRY humidity control (only TOUCH II models)
- Order HPL in complete container + compact packing (CHECK PRICE)
- 400V III /230 I/III 60Hz
- 440-480V III no N 50/60Hz (maritime)
- Several payment systems for self-service

CAPACITY & DRUM		UNIT.	HPD-10 TOUCH II	
Capacity 1/18		Kg	11,1	
		lb	24,5	
Capacity 1/20		Kg	10	
		lb	22	
Ø Drum		mm	590	
		inch	23,23	
Drum length		mm	690	
		inch	27,17	
Drum volume		l	200	
		cu ft	7,06	
Ø Door hole		mm	480	
		inch	18,90	
Door center height		mm	554	
		inch	21,81	
Height from floor to bottom of door		mm	250	
		inch	9,84	
ELECTRIC HEATING				
Evaporation capacity		L/h	6,35	
		US gallon/h	1,68	
Hourly output		Kg/h	12,5	
		lb/h	27,6	
Installed heating power		kW	6,75 (1)	
Installed electrical power		kW	7,17 (1)	
Drum motor power		kW	0,37 (2)	
GAS HEATING				
Evaporation capacity (gas model)		L/h	6,35	
		US gallon/h	1,68	
Hourly output (gas model)		Kg/h	12,5	
		lb/h	27,6	
Installed gas heating power		kcal/h	5761	
		Btu/h	22861,3	
Installed gas heating power		kW	6,70	
Installed electrical power		kW	0,42	
Instant propane gas consumption (G31)		Kg/h	0,57	
		lb/h	1,26	
Instant natural gas consumption (G20)		m <sup>3</sup> /h	0,71	
		cfm	0,42	
Ø Gas inlet		BSPP ISO 228-1	1/2"	
VENTILATION				
Fan motor power		kW	0,37(2)	
Nominal air flow rate		m <sup>3</sup> /h	300	
		cfm	176,57	
Ø Fume exhaust		mm	100	
		inch	3,94	
HEAT EMISSION				
Maximum total heat emission		kW	0,45	
		Btu/h	1536,4	
Max. front heat emission		kW	0,32	
		Btu/h	1075,5	
CONNECTIONS				
Tension 230V - I + N + T		Nº x mm <sup>2</sup> / A	E 3 x 10 / 40A	G 3 x 1,5 / 10A
Tension 230V - III + T		Nº x mm <sup>2</sup> / A	4 x 4 / 25A	3 x 1,5 / 10A (3)
Tension 400V - III + N + T		Nº x mm <sup>2</sup> / A	5 x 2,5 / 16A	3 x 1,5 / 10A (4)
NET DIMENSIONS / D. WITH PACKING				
Net / gross width		mm	680 / 710	
		inch	26,77 / 27,95	

Net / gross depth	mm	775 / 832
	inch	30,51 / 32,76
Net / gross height	mm	1.056 / 1.141
	inch	41,57 / 44,92
Net / gross weight	Kg	92,6 / 104,1
	lb	204,15 / 229,50
<b>OTHERS</b>		
Sound level	dB	62

- (1) Configurable via a terminal block system.
- (2) It's a single motor for both the drum and fan.
- (3) Connect two phases and ground.
- (4) Connect phase, neutral, and ground.



- 01 Power supply
- 02 Fumes output Ø 100
- 03 Gas inlet 1/2"
- 04 Ethernet connection (only TOUCH control)

	A	B	C	D	E	F	G	H	I	J	K	L	M	N
HPD-8	1.056	1.227	320	140	226	680	722	615	57	91	480	1.015	50	118
HPD-10	1.056	1.227	320	140	226	680	775	615	57	91	480	1.015	50	118