



ELECTRONIC CONTROL

NPR-1025, NPR-1225, NPR-1425, NPR-2025

- Digital screen: precise control of temperature.
- Preset ironing speeds, not adjustable.

NPR-1425, NPR-2025 ECO-ENERGY

- Simple and user friendly with an **automatic mode**: automatic management of ironing speed according to the selected temperature.
- Digital speed and temperature display.



EFFICIENCY

- Acoustic comfort: 65 dB max.
- Minimum space requirement: space saving, suitable for small spaces.
- Ideal for processing small quantity of flat linen in facilities like restaurants, guest rooms, hostels.
- Speed control via potentiometer as an option.
- Heating plate with improved adaptation to different fabric thicknesses.



ROBUSTNESS

- Nomex quality coating: resistant to high temperatures (option, standard on ECO-ENERGY).
- Panels in grey Skinplate and stainless steel.
- Wooden feeding board.
- Industrial components, more durable.
- Gas spring located under the tray: less exposed to heat, no risk of leaks.
- Temperature probe screwed to the plate with thermal paste: no risk of damage.
- Klixon thermostat for greater safety and reliability.



OUTSTANDING FEATURES

- Large roll contact area with the linen.
- Roll lifting control by pedal or automatic roll lifting control by foot cell detection.
- Two available models:
 - **Standard**: roll with cotton polyester coating.
 - **Nomex**: roll with Nomex coating.
- **NPR ECO-ENERGY Models**:
 - Large roll contact area with the linen.
 - Mode of operation identical to a flatwork ironer: no roll lifting, more ergonomic.
 - Models equipped with Nomex belts, suction and variable speed inverter, more productivity.
 - Adjustable speed and temperature.



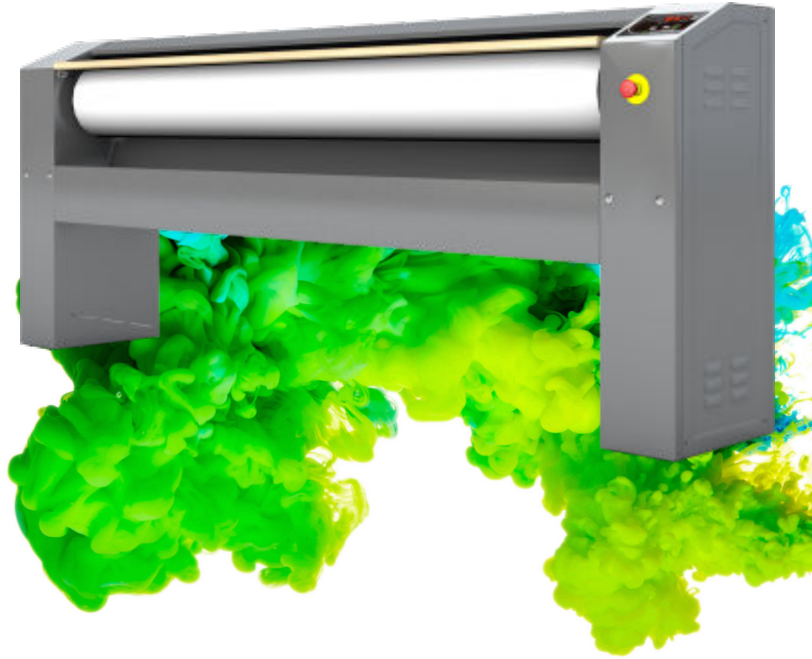
MAINTENANCE

- Easy installation: requires only an electrical connection.
- Easy access on both sides for maintenance.
- Quick and easy dismantling of bearings.
- Thermostat and probe accessible from the rear without removing the heating plate.



OTHERS

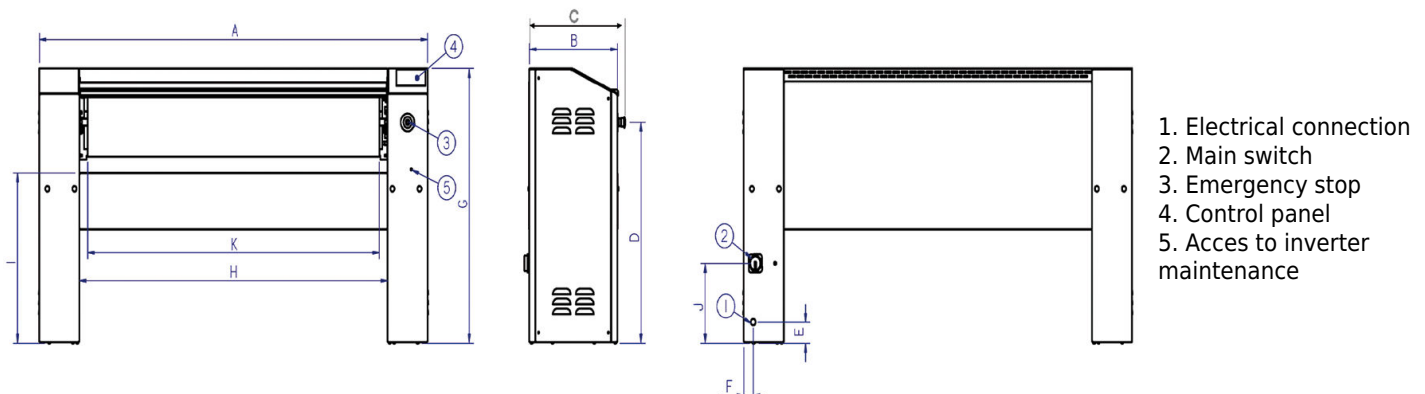
- Front feeding and return.
- Roll Ø 250 mm. Working widths: 1.000, 1.200, 1.400, 2.000mm.
- Electric heating.
- CE certification.



OPTIONS

- Pedal control instead of photocell
- 230V 1~ + N 50Hz(except mod. 200 ECO-ENERGY)
- 400V 3~ + N + T 60Hz
- 440V 3~ (No N) 60Hz (marine)

GENERAL DETAILS		UNIT.	PR-2025
Theoretical production: 20-25 humidity		Kg/h	35
		Lb/h	77,16
Roll Ø		mm	250
		inch	9,84
Working width		mm	2.000
		inch	78,74
Working speed		m/min	4.2
		ft/mn	13,77
Electronic control		-	YES
Chest motion		-	Automático
POWER			
Heating power		Kw	12
Roll motor power		Kw	0,18
Total electric power		Kw	12,18
CONNEXIONS			
Tension 230 V I + N + T		nº x mm²/A	-
		nº x AWG/A	-
Tension 230 V III + T		nº x mm²/A	4 x 6 / 32A
		nº x AWG/A	4 x 9 / 32A
Tension 400 V III + N + T		nº x mm²/A	5 x 4 / 20A
		nº x AWG/A	5 x 11 / 20A
DIMENSIONS			
Net / gross width		mm	2.462 / 2.490
		inch	97 / 98
Net / gross depth		mm	484 / 540
		inch	19 / 21
Net / gross height		mm	985 / 1.130
		inch	39 / 44
Net / gross weight		Kg	164 / 184
		Lb	362 / 406
Net / gross volume		m³	1,17 / 1,51
		ft³	41,32 / 53,33
OTHERS			
No. Fume outlet		Nº	-
Ø Fume outlet		mm	-
		inch	-
Air flow		m³/h	-
		cfm	-
Noise Level		dB	55



	A	B	C	D	E	F	G	H	I	J	K
PR-1025	1.462	423	484	791	75	45	985	1.079	610	287	988
PR-1225	1.662	423	484	791	75	45	985	1.279	610	287	1.198
PR-1425	1.862	423	484	791	75	45	985	1.479	610	287	1.398
PR-2025	2.462	423	484	791	75	45	985	2.079	610	287	1.998