



## ELECTRONIC CONTROL

M programmer: push buttons to control temperature and time.



## OUTSTANDING FEATURES

Reversing drum action as standard.  
Stainless steel drum as standard.  
Frequency inverter as standard.



## EFFICIENCY

DOUBLE FLOW - mixed axial-radial airflow.  
Big fluff filter.



## VERSATILITY

Make to order - customisation.  
OPL > Coin laundry- Standard OPL model easily trasformable to coin laundry uses.



## ERGONOMICS

Drawer as fluff filter, stainless steel mesh.  
Biggest door diameters.  
Opening sense of door adjustable on site.



## MAINTENANCE

Hinged control panel: easy access.  
Technical menu: statistics for technicians and maintenance with external console (with console option).  
Easy to access to components.



## OTHERS

Grey skinplate outer casing, stainless steel look.  
**NEW:** Geared motor drive on models DTT-45 to DTT-80  
SOFT DRY - new drum with stamped holes.  
COOL DOWN - anti-wrinkle at the end of the cycle.  
Heating options: electric, gas or steam.  
CE approved

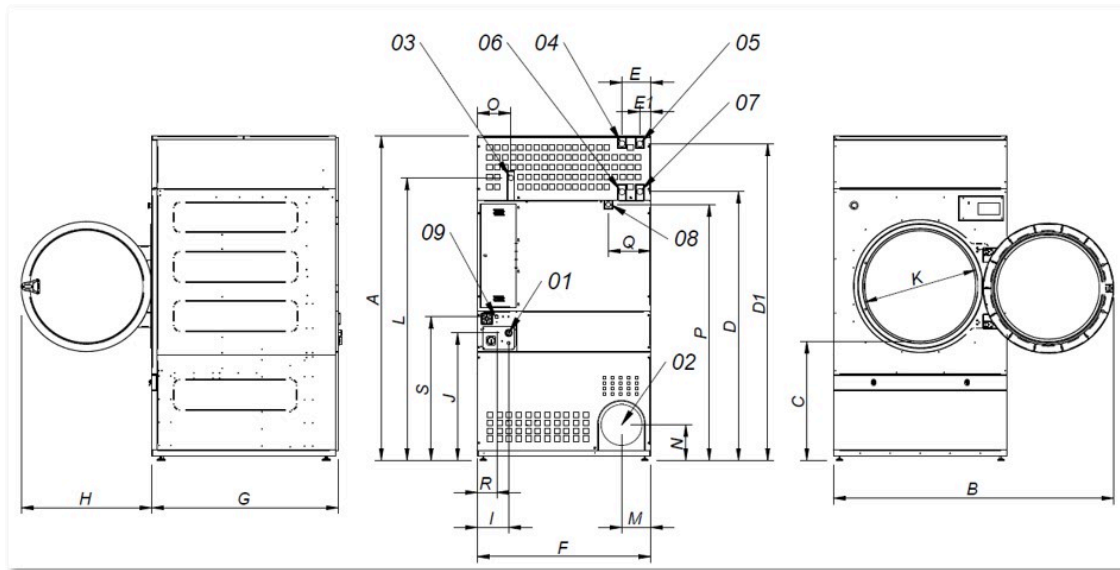


## OPTIONS

- 400V 3~60Hz DTM-28/35/45/60/80
- Rear panel with external air intake and filter XL DTM-45/60/80
- Natural gas heated tumble dryer
- Manual sliding door DTM-45/60/80 (without double door glass)
- Double doorglass DTM-35/45/60/80
- Opposite door opening DTM-45/60/80
- Back panel with air filter
- Fluff filter with grid 0,6 mm (standard is 0,3 mm)
- Fluff filter with grid 1,2 mm (standard is 0,3 mm)
- Reinforced drum for heavy-duty use 45-60-80 kg
- Front and side panels in AISI 304 stainless steel DTM-45
- Front panel in stainless steel DTM-45/60/80
- Low pressure steam battery DTM-45/60/80
- Maritime wooden packing DTM-45
- 400V 3N 60 Hz DTM-45/60/80 E/S
- 400V 3N 60 Hz DTM-45/60/80 G
- 230V 3~ 50 Hz DTM-45/60/80 G/S
- 230V 3~ 60 Hz DTM-45/60/80 S
- 230V 3~ 60 Hz DTM-45/60/80 G
- 440/480V 3~ 60 Hz DTM-45/60/80 (marine)

CAPACITY & DRUM	UNIT.	DTM-45
Capacity 1/18	Kg	50
	lb	110,2
Capacity 1/20	Kg	45
	lb	99,2
Ø Drum	mm	1.225
	inch	48,23
Drum length	mm	760
	inch	29,92
Drum volume	l	900
	cu ft	31,78
Ø Door hole	mm	802
	inch	31,57
Door center height	mm	1.275
	inch	50,20
Height from floor to bottom of door	mm	813
	inch	31,99
ELECTRIC HEATING		
Evaporation capacity	L/h	40,2
	US gallon/h	10,6
Hourly output	Kg/h	80,4
	lb/h	177,2
Installed heating power	kW	54
Installed electrical power	kW	55,9
GAS HEATING		
Evaporation capacity (gas model)	L/h	42,5
	US gallon/h	11,227
Hourly output (gas model)	Kg/h	84,4
	lb/h	186,07
Installed gas heating power	kcal/h	51591
	Btu/h	204728
Installed gas heating power	kW	60
Installed electrical power	kW	1,9
Instant propane gas consumption (G31)	Kg/h	5,14
	lb/h	11,33
Instant natural gas consumption (G20)	m <sup>3</sup> /h	6,35
	cfm	3,74
Ø Gas inlet	BSPP ISO 228-1	3/4"
STEAM HEATING		
Installed steam heating power	kW	91
	Btu/h	310505
Installed electrical power	kW	1,9
Steam consumption (8 barG) - Standard	kg/h	121
Steam consumption (116 psiG)	lb/h	145,8
Steam pressure	barG	7 - 12
	psiG	101,5 - 174
Standard steam inlet - outlet	BSPT- ISO7.1	1"
Standard steam inlet - outlet	NPT ANSI B1.20.1 Tapered	1"
Steam consumption (5 barG) - Low Pressure	kg/h	142
Steam consumption (72,5 psiG) - Low Pressure	lb/h	171,1
Steam pressure (low pressure)	barG	4 - 7
	psiG	58 - 101,5
Low pressure steam inlet - outlet	BSPT- ISO7.1	1" 1/2
THERMAL OIL HEATING		
Installed heating power	kW	91
Installed electrical power	kW	1,9
Fluid consumption (T max 175°C)	m <sup>3</sup> /h	7
Thermal oil connection	BSP	1" 1/2

POWER AND VENTILATION			
Drum motor power	kW	0,75	
Fan motor power	kW	1,1	
Nominal air flow rate	m <sup>3</sup> /h	3.000	
	cfm	1766	
Ø Fume exhaust	mm	300	
	inch	11,81	
HEAT EMISSION			
Maximum total heat emission	kW	4,9	
	Btu/h	16593	
Max. front heat emission	kW	2,2	
	Btu/h	7375	
CONNECTIONS			
Tension 230V - I + N + T	Nº x mm <sup>2</sup> / A	E	G / S
Tension 230V - III + T	Nº x mm <sup>2</sup> / A	-	-
Tension 400V - III + N + T	Nº x mm <sup>2</sup> / A	5 x 35 / 100A	5 x 2,5 / 20A
NET DIMENSIONS / D. WITH PACKING			
Net / gross width	mm	1.270 / 1.330	
	inch	50 / 52,4	
Net / gross depth	mm	1.106 / 1.185	
	inch	43,5 / 46,65	
Net height / gross height without heating	mm	2.380 /*2.200	
	inch	93,7 / *86,6	
Net / gross weight	Kg	395 / 430	
	lb	871 / 948	
OTHERS			
Sound level	dB	67	



- 01 Power supply
- 02 Fumes output Ø 300
- 03 Gas inlet 1/2"
- 04 Steam inlet 1" (DTM-45)
- 05 Steam inlet 1" (DTM-60-80)
- 06 Condensate outlet 1" (DTM-45)
- 07 Condensate outlet 1" (DTM-60-80)
- 08 Sprinkler valve 3/4"
- 09 Ethernet connection (only TOUCH Control)

	A	B	C	D	D1	E	E1	F	G	H	I	J	K	L	M	N	O	P	Q	R	S
DTM-45	2.380	2.045	874	1.981	2.311	211	80	1.270	1.106	956	248	935	802	2.088	214	240	244	1.841	308	160	1.053
DTM-60	2.380	2.045	874	1.981	2.311	211	80	1.270	1.366	956	248	935	802	2.088	214	240	244	1.841	308	160	1.053
DTM-80	2.380	2.045	874	1.981	2.311	211	80	1.270	1.598	956	248	935	802	2.088	214	240	244	1.841	308	160	1.053