

### FEATURES

Cabinet supplied as standard with one trouser finishing device and one form finisher for jackets, coats, dresses, etc. Supplied with all the necessary accessories for the finishing of trousers, jackets and coats (dummy, trousers waist band stretcher, curved clamp for jackets, straight trouser clamps, vertical clamps, multiple connection, wooden and silicon sleeve stretchers).

Controlled by an easy to use microprocessor, capable of running up to nine fully automatic programs, amendable by the user.

Automatic starting cycle after door closing.

#### BOX-C MODEL

- **Without steam boiler**, to be connected to a central steam supply.
- It needs a steam inlet and outlet.
- Electrical connection: 230/400V III 50Hz.

#### BOX-A MODEL

- **Complete with built-in steam boiler, 16 litres**, with automatic water feeding and automatic pressure control (4,5 bar).
- Electrical connection: 230/400V III 50Hz.

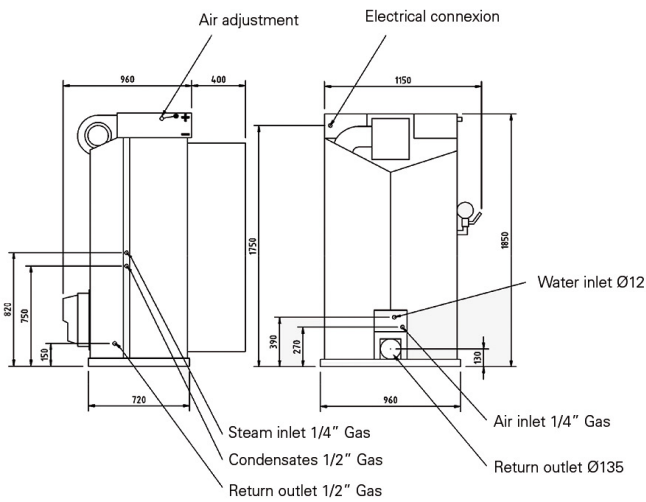


### OPTIONS

- Leg stretcher

| GENERAL DETAILS                            | UNIT.          | BOX-A              |
|--|----------------|--------------------|
| Boiler                                     | -              | YES                |
| Boiler capacity                            | L              | 16                 |
| <b>POWER</b>                               |                |                    |
| Pump motor                                 | HP             | 0,75               |
| Compressor motor                           | kW             | 15                 |
| Boiler heater                              | kW             | 12                 |
| Fan motor                                  | kW             | 1-1,5              |
| <b>CONNECTIONS</b>                         |                |                    |
| Ø Water inlet                              | BSP            | 3/8"               |
| Ø Boiler exhaust (mod. with boiler)        | BSP            | 1/2"               |
| Ø Steam inlet                              | BSP            | -                  |
| Boiler drain                               | BSP            | 1/2"               |
| Steam pressure                             | BAR            | 4-5                |
| Steam consumption                          | Kg/h           | 16-20              |
| Ø Air inlet                                | BSP            | 1/4"               |
| Ø Air outlet                               | mm             | 140                |
| Air pressure                               | BSP            | 4-5                |
| Air Consumption                            | NI/min         | 6                  |
| <b>NET DIMENSIONS / PACKING DIMENSIONS</b> |                |                    |
| Net width / Gross width                    | mm             | 1.080 / 1.080      |
| Net depth / Gross depth                    | mm             | 1.375 / 1.190      |
| Net height / Gross height                  | mm             | 1.850 / 2.020      |
| Net weight / Gross weight                  | Kg             | 241 / 309          |
| Volume                                     | m <sup>3</sup> | 2,75 / 2,60        |
| <b>OTHERS</b>                              |                |                    |
| Voltage                                    | V/Hz           | 230/400V III 50-60 |
| Sound level                                | dB             | 65                 |

BOX A



BOX C

