



ELECTRONIC PROGRAMMER

PR-1025, PR-1225, PR-1425, PR-2025

Digital screen: precise control of temperature.
Preset ironing speeds, not adjustable.

PR-1425, PR-2025 ECO-ENERGY

Simple and user friendly with an **automatic mode**: automatic management of ironing speed according to the selected temperature.
Digital speed and temperature display.



EFFICIENCY

Acoustic comfort: 65 dB max.
Minimum space requirement: space saving, suitable for small spaces.
Ideal for processing small quantity of flat linen in facilities like restaurants, guest rooms, hostels.



ROBUSTNESS

Nomex quality coating: resistant to high temperatures (option, standard on ECO-ENERGY).
Panels in grey Skinplate and stainless steel.
Wooden feeding board.
Industrial components, more durable.



OUTSTANDING FEATURES

Large roll contact area with the linen.
Roll lifting control by pedal or automatic roll lifting control by foot cell detection.
Two available models:

- **Standard**: roll with cotton polyester coating.
- **Nomex**: roll with Nomex coating.

ECO-ENERGY Models:

Large roll contact area with the linen.
Mode of operation identical to a flatwork ironer: no roll lifting, more ergonomic.
Models equipped with Nomex belts, suction and variable speed inverter, more productivity.
Adjustable speed and temperature.



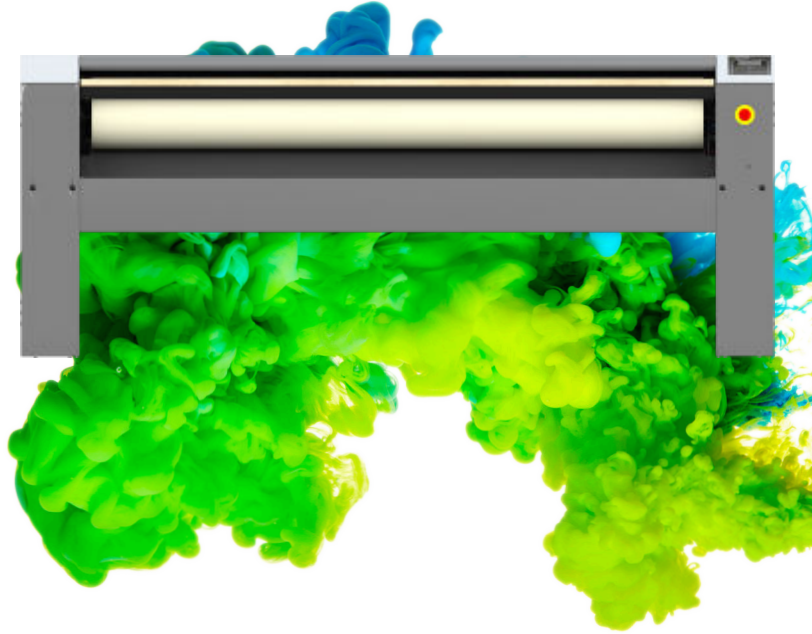
MAINTENANCE

Easy installation: requires only an electrical connection.
Easy access on both sides for maintenance.
Quick and easy dismantling of bearings.



OTHERS

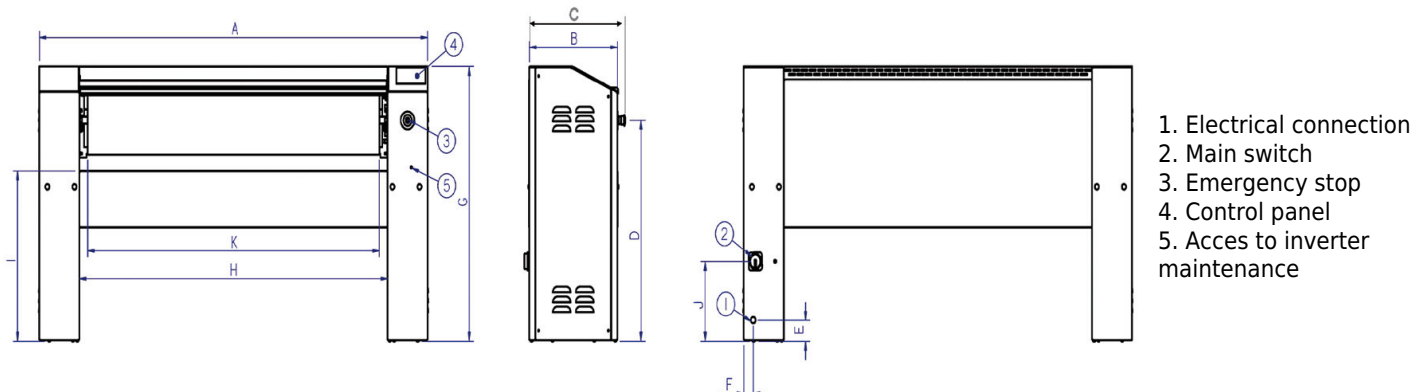
Front feeding and return.
Roll Ø 250 mm.
Working widths: 1.000, 1.200, 1.400 and 2.000 mm.
Electric heating.
CE certification.



OPTIONS

- Pedal control instead of photocell (no need in ECO-ENERGY)
- 230V I + N 50Hz (except PR-2025 ECO-ENERGY)
- 400V +N+T 60Hz
- 440V III No N 60Hz (maritime)

GENERAL DETAILS	UNIT.	PR-1025 NOMEX
Theoretical production: 20-25 humidity	Kg/h	25
	Lb/h	55,12
Roll Ø	mm	250
	inch	9,84
Working width	mm	1.000
	inch	39,37
Working speed	m/min	4.2
	ft/mn	13,77
Electronic control	-	YES
Chest motion	-	Automático
POWER		
Heating power	Kw	4,95
Roll motor power	Kw	0,18
Total electric power	Kw	5,13
CONNEXIONS		
Tension 230 V I + N + T	nº x mm²/A	3 x 6 / 25A
	nº x AWG/A	3 x 9 / 25A
Tension 230 V III + T	nº x mm²/A	4 x 2,5 / 16A
	nº x AWG/A	4 x 13 / 16A
Tension 400 V III + N + T	nº x mm²/A	5 x 2,5 / 10A
	nº x AWG/A	5 x 13 / 10A
DIMENSIONS		
Net / gross width	mm	1.462 / 1.490
	inch	57,56 / 58,66
Net / gross depth	mm	484 / 540
	inch	19,06 / 21,26
Net / gross height	mm	985 / 1.130
	inch	38,78 / 44,49
Net / gross weight	Kg	114 / 124
	Lb	251,33 / 273,37
Net / gross volume	m³	0,69 / 0,91
	ft³	24,37 / 32,14
OTHERS		
No. Fume outlet	Nº	-
Ø Fume outlet	mm	-
	inch	-
Air flow	m³/h	-
	cfm	-
Noise Level	dB	55



	A	B	C	D	E	F	G	H	I	J	K
PR-1025 NOMEX	1.462	423	484	791	75	45	985	1.079	610	287	988
PR-1225 NOMEX	1.662	423	484	791	75	45	985	1.279	610	287	1.198
PR-1425 NOMEX	1.862	423	484	791	75	45	985	1.479	610	287	1.398
PR-2025 NOMEX	2.462	423	484	791	75	45	985	2.079	610	287	1.998