

 **FEATURES****B-2 - Steam generator with iron**

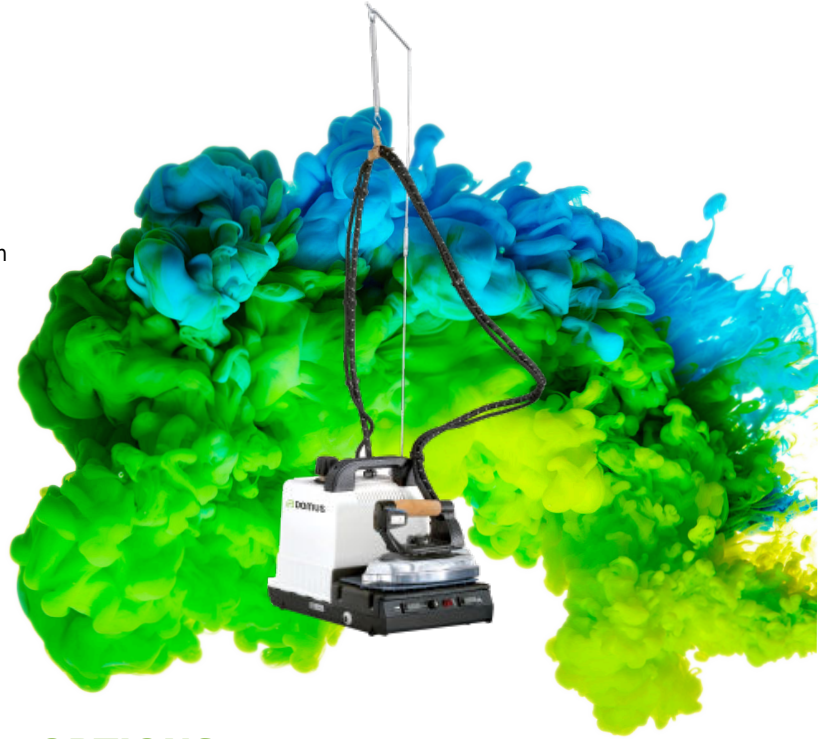
- Electric steam generator with 1.8-litre capacity (1 kW), with iron.
- Compact, thermally insulated, with aluminium alloy boiler and manual water filling.
- Voltage: 230 V 1 ~ 50/60 Hz.

B-5 - Steam generator with iron.

- Stainless steel electric steam generator, supplied with a steam iron.
- Water level indicator with warning light when the generator is empty.
- Three safety devices: pressure switch, safety valve and emergency thermostat.
- Requires water supply for operation.
- Fixed thermostat to control pressure. Trolley with wheels optional.
- Voltage: 230 V 1 +N 50 Hz.

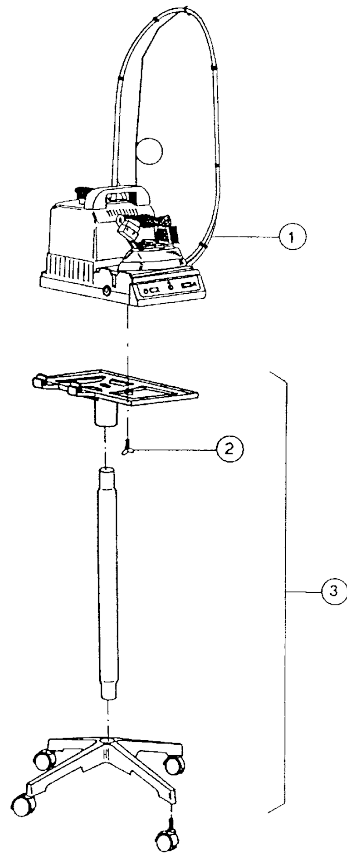
SB-24 - Steam generators for supplying finishing equipment without a boiler.

- Available from 12 to 22 kW.
- Water supply can be connected directly to the mains or to a stainless steel condensate tank.
- Pressure between 1 and 7 bar.
- Capacity: 24.9 litres.
- Voltage: 230 V 3 / 400 V 3 50/60 Hz.

**OPTIONS**

- 5 feet trolley + wheels B-2

| GENERAL DATA | UNIT. | B-2 |
|------------------------------------|-------|---------------|
| Power supply | V | 230 V 1 50 Hz |
| Boiler energy consumption | W | 1000 |
| Iron energy consumption | W | 800 |
| Boiler capacity | L | 1,75 |
| Autonomy | h | 2-3 |
| Maximum steam pressure | bar | 2,60 |
| Sound pressure level | dB | <70 |
| Operating temperature | °C | 5 - 80 °C |
| Operating humidity | % | 90 |
| Storage temperature: -20 to +50 °C | °C | -20 / +50 |
| DIMENSIONS | | |
| Net width | mm | 230 |
| Net depth | mm | 420 |
| Net height (without pole) | mm | 300 |
| Net weight | kg | 8 |
| Gross width | mm | 600 |
| Net depth | mm | 440 |
| Gross height | mm | 450 |
| Gross weight | kg | 9 |



1. B-5 steam generator with iron.
2. B-5 fixing screw to trolley.
3. Trolley with wheels (option).