

FEATURES

PU / PCP

DOMUS automatic presses are easy to use thanks to their pneumatic system.

- They feature high pressing power, fully adjustable, and a variety of pressing heads for different special applications.
- Universal head dimensions: 1,180 x 380 x 220 mm.
- The wide upper plates make pressing operations and steam iron use easier.
- Lowering of the upper plate is controlled by two push buttons. In this case, a finger protection safety device is integrated into the press to ensure user safety.
- The presses are available with an electric steam boiler, vacuum and compressor built into the machine, or for connection to an external steam and air supply.
- Voltage: 400 V 3+N / 230 V 3 / 50 Hz.

PU models:

• Universal press with steam-heated upper and lower plates, with optional polished plate for laundries.

PCP models:

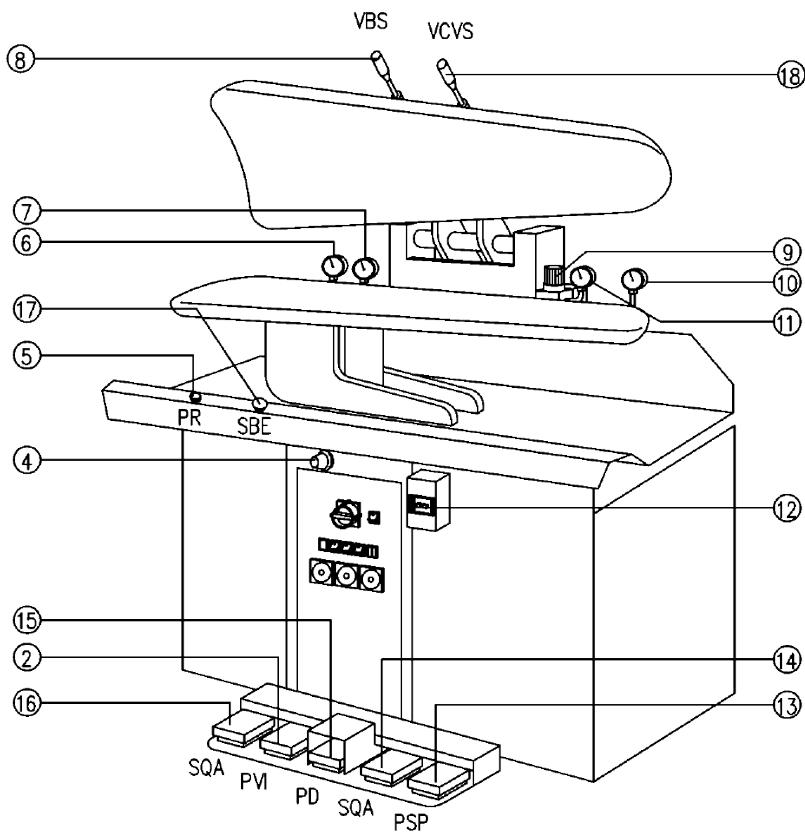
- Collar and cuff press with steam-heated upper and lower plates.
- Polished upper plate, non-steaming (optional).



OPTIONS

- Spotting vacuum arm PU / PCP
- Steam iron assembly + pedal PU / PCP
- Spray gun for steam PU / PCP
- Polished upper board PU

| GENERAL DETAILS | UNIT. | PU | |
|--|----------------|-----------------------|-----------------------|
| | With boiler | SIN CALDERA | |
| Board dimensions | mm | 1.170 x 360 x 220 | 1.170 x 360 x 220 |
| Boiler capacity | L | 16 | - |
| Boiler | - | OPT | OPC |
| Compressor | - | OPT | OPC |
| Group of iron | - | OPT | OPC |
| Steam gun | - | OPT | OPC |
| Polished upper buck | - | OPT | OPC |
| POWER | | | |
| Vacuum motor | HP | 0,6 | 0,6 |
| Pump motor | HP | 0,75 | - |
| Boiler heater | kW | 2 | 2 |
| Fan motor | kW | 12 | - |
| CONNECTIONS | | | |
| Ø Water inlet | BSP | 3/8" | - |
| Ø Boiler exhaust (mod. with boiler) | BSP | 1/2" | - |
| Ø Steam inlet | BSP | - | 1/2" |
| Ø Condensate outlet | BSP | - | 1/2" |
| Steam pressure | BAR | 4-5 | 4-5 |
| Steam Consumption | Kg/h | 12-20 | 12-20 |
| Ø Air inlet | BSP | - | 3/8" |
| Air pressure | BSP | 6-7 | 6-7 |
| Air Consumption | NI/min | 40 | 40 |
| NET DIMENSIONS / PACKING DIMENSIONS | | | |
| Net width / Gross width | mm | 1.370 / 1.440 | 1.370 / 1.440 |
| Net depth / Gross depth | mm | 1.080 / 1.110 | 1.080 / 1.110 |
| Net height / Gross height | mm | 1.250 / 1.410 | 1.250 / 1.410 |
| Net weight / Gross weight | kg | 292 / 342 | 237 / 287 |
| Volume | m ³ | 1,84 / 2,25 | 1,84 / 2,25 |
| OTHERS | | | |
| Voltage | V/Hz | 230/400V III 50-60 | 230/400V III 50-60 |
| Sound level | dB | 70 | 70 |



2. Lower plate steam pedal.
4. Crushing pressure regulator.
5. Safety frame reset push button.
6. Steam circuit pressure gauge 0/10 bar (OPT with boiler).
7. Compressor pressure gauge 0/16 bar (OPT with compressor).
8. Upper plate locking and release valve.
9. Compressed air filter-regulator-lubricator unit.
10. Crushing pressure gauge 0/16 bar.
11. Compressed air supply pressure gauge 0/16 bar.
12. Circuit breaker (OPT with compressor).
13. Lower plate blowing pedal (OPT).
14. Second lower plate suction pedal (OPT).
15. Upper plate lowering pedal.
16. Lower plate suction pedal.
17. Emergency stop push button.
18. Upper plate steam control valve.