

FEATURES

PU / PCP

DOMUS automatic presses are easy to use thanks to their pneumatic system.

- They feature high pressing power, fully adjustable, and a variety of pressing heads for different special applications.
- Universal head dimensions: 1,180 x 380 x 220 mm.
- The wide upper plates make pressing operations and steam iron use easier.
- Lowering of the upper plate is controlled by two push buttons. In this case, a finger protection safety device is integrated into the press to ensure user safety.
- The presses are available with an electric steam boiler, vacuum and compressor built into the machine, or for connection to an external steam and air supply.
- Voltage: 400 V 3+N / 230 V 3 / 50 Hz.

PU models:

• Universal press with steam-heated upper and lower plates, with optional polished plate for laundries.

PCP models:

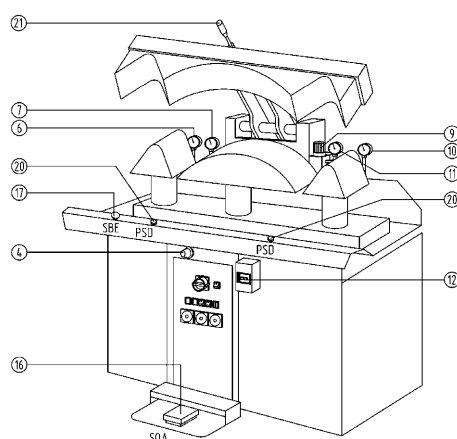
- Collar and cuff press with steam-heated upper and lower plates.
- Polished upper plate, non-steaming (optional).



OPTIONS

- Spotting vacuum arm PU / PCP
- Steam iron assembly + pedal PU / PCP
- Spray gun for steam PU / PCP
- Polished upper board PU

GENERAL DETAILS	UNIT.	PCP	
	With boiler	SIN CALDERA	
Board dimensions	mm	940 x 160	940 x 160
Boiler capacity	L	16	-
Boiler	-	OPT	OPC
Compressor	-	OPT	OPC
Group of iron	-	OPT	OPC
Steam gun	-	OPT	OPC
Polished upper buck	-	OPT	OPC
POWER			
Vacuum motor	HP	0,6	0,6
Pump motor	HP	0,75	-
Boiler heater	kW	2	2
Fan motor	kW	12	-
CONNECTIONS			
Ø Water inlet	BSP	3/8"	-
Ø Boiler exhaust (mod. with boiler)	BSP	1/2"	-
Ø Steam inlet	BSP	-	1/2"
Ø Condensate outlet	BSP	-	1/2"
Steam pressure	BAR	4-5	4-5
Steam Consumption	Kg/h	12-20	12-20
Ø Air inlet	BSP	-	3/8"
Air pressure	BSP	6-7	6-7
Air Consumption	NI/min	40	40
NET DIMENSIONS / PACKING DIMENSIONS			
Net width / Gross width	mm	1.370 / 1.440	1.370 / 1.440
Net depth / Gross depth	mm	1.080 / 1.110	1.080 / 1.110
Net height / Gross height	mm	1.250 / 1.410	1.250 / 1.410
Net weight / Gross weight	kg	292 / 342	237 / 287
Volume	m ³	1,84 / 2,25	1,84 / 2,25
OTHERS			
Voltage	V/Hz	230/400V III 50-60	230/400V III 50-60
Sound level	dB	70	70



4. Crushing pressure regulator.
6. Steam circuit pressure gauge 0/10 bar (OPT with boiler).
7. Compressor pressure gauge 0/16 bar (OPT with compressor).
9. Compressed air filter-regulator-lubricator unit.
10. Crushing pressure gauge 0/16 bar.
11. Compressed air supply pressure gauge 0/16 bar.
12. Circuit breaker (OPT with compressor).
16. Lower plate suction pedal.
17. Emergency stop push button.
20. Upper plate lowering push button.
21. Upper plate release push button.