

## FEATURES

- In a space of just 18 m<sup>2</sup>, it dries and irons, folds and stacks linen.
  - Folding types: longitudinal and crosswise.
  - Can be operated by a single operator.
  - Maximum output up to 290 kg/h.\*
  - Adjustable ironing speed up to 18 m/min.\*
  - Maximum temperature: 165°C.
  - Automatic ironing speed control.
  - Automatic cooling of the ironing roller.
  - Available in one or two work lanes.
  - Intuitive and programmable 7" touchscreen. Optional mobile arm.
  - Fume extraction system with automatic fan cleaning.
  - Stackers can be added (optional).
  - Customisable with different accessories.
- Featured options:

### SALIDA LATERAL / Side exit



1 Apilador lat. compacto por palas  
Side standard stacker by blades



2 Apilador lat. Roll-Off (por arrastre)  
Side stacker Roll-Off

### SALIDA POSTERIOR / Rear exit



3 Recogedor post. + bypass (2/4 vías)  
Rear collector + bypass (2/4 lanes)



SMARTY  
Plegadora prend. pequeñas  
Small garment folder

\*Maximum production and speed, variable depending on model, configuration and working conditions.

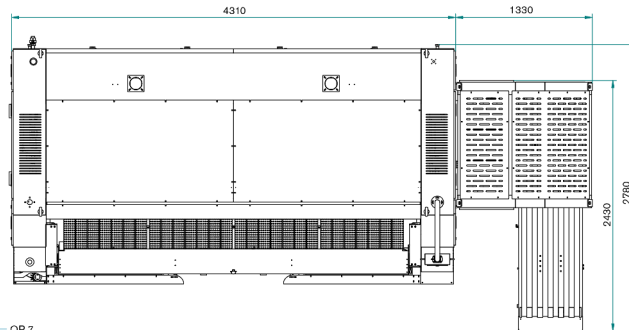


## OPTIONS

- Compact side stacker by blades
- Roll-off side stacker
- Vacuum belts to help linen feeding
- Automatic 1 lane clamp feeder (needs option of vacuum feeding belts)
- By pass for rear exit
- Table for rear exit (H=860 mm. OPC bypass required)
- Four folding lanes (lengthfolds only)
- Rotating arm for the control panel
- 2 lanes rear collector small garments (it needs bypass option)
- Side output with table (without stacker) H=480 mm
- Side output with motorised table (without stacker) H=805 mm
- 4 lanes rear collector small garments (it needs bypass option)
- Double air pressure for thick linen
- Linen rejection system (dirty or torn)
- Remote service (SPE, SP, S)
- Maritime packaging SPE
- Maritime packaging for compact side stacker by blades
- Maritime packaging for Roll-off side stacker 1
- Maritime packaging for small pieces collector 2 lanes
- Maritime packaging for small pieces collector 4 lanes
- Different voltage from 400V 3~ +N 50 Hz

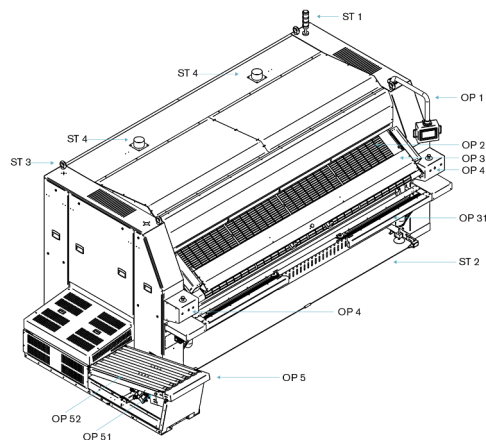
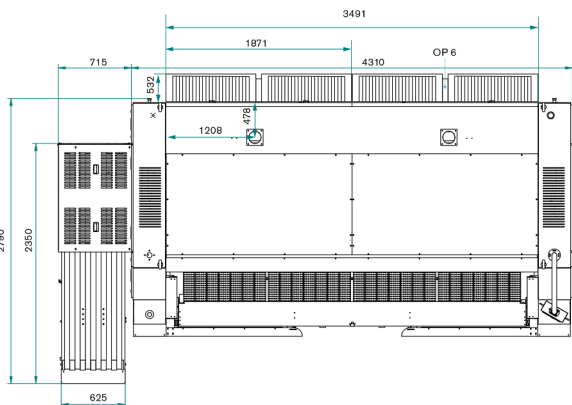
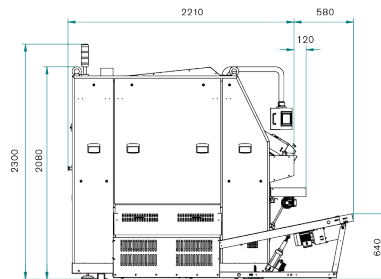
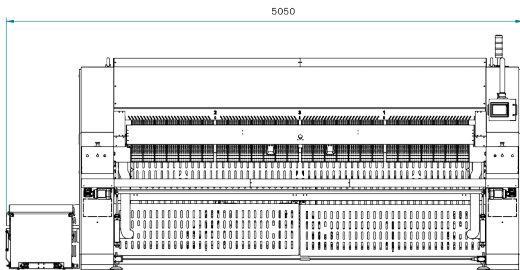
| GENERAL DATA                                      | UNIT. | SPE800-2-3300 |
|---|-------|---------------|
| Theoretical production elec/steam                 | Kg/h  | 180-220       |
| Theoretical production gas heating*               | Kg/h  | 180-220       |
| Theoretical production radiant gas burner (+20%)* | Kg/h  | 216-264       |
| Ø Roll  | mm    | 800           |
| Working width                                     | mm    | 3.300         |
| Height floor-feeding                              | mm    | 1.050         |
| Working speed                                     | m/min | 3-14          |
| Control type                                      | -     | Digital       |
| No. of programs                                   | Nº.   | 20            |
| MAIN FUNCTIONS                                    |       |               |
| Drying  | -     | YES           |
| Ironing   | -     | YES           |
| Longitudinal folding                              | -     | YES           |
| Cross folding                                     | -     | YES           |
| Lateral stacking (Roll-Off or compact stacker)    | -     | OPT           |
| FOLDING   |       |               |
| 1 lane - lengthfold                               | Nº.   | 1-2           |
| 1 lane - crossfold                                | Nº    | 1-2-3         |
| 2 lanes - lengthfold                              | Nº    | 1-2           |
| 2 lanes - crossfold                               | Nº    | 1-2           |
| 4 lanes - lengthfold                              | Nº    | 1-2           |
| 4+ lanes - folding                                | Nº    | NO            |
| POWER   |       |               |
| Electric model - Consumption                      | A     | 104           |
| Electric model - Heating power                    | kW    | 72            |
| Electric model - Total electrical power           | kW    | 75,5          |
| Steam model - Consumption                         | Kg/h  | 185           |
| Steam model - Power (max 12 bar)                  | kW    | 110           |
| Steam model - Total electrical power              | kW    | 3,5           |
| Liquefied gas (LPG) model - Consumption           | m³/h  | 4,6           |
| Liquefied gas (LPG) model - Power                 | kW    | 124,1         |
| Natural gas (NG) model - Consumption              | m³/h  | 13,2          |
| Natural gas (NG) model - Power                    | kW    | 124,7         |
| Gas LPG / NG model - Total electrical power       | kW    | 3,5           |
| CONNECTIONS                                       |       |               |
| Ø Gas inlet                                       | BSP   | 1"            |
| Ø Steam inlet (12 bar max.)                       | BSP   | 1"            |
| Ø Condensed (steam models)                        | BSP   | 1/2"          |
| Ø Air inlet                                       | mm    | 12            |
| DIMENSIONS  |       |               |
| Net width / gross width                           | mm    | 4.440 / 4.600 |
| Net depth / gross depth                           | mm    | 2.210 / 2.280 |
| Net height / gross height                         | mm    | 2.300 / 2.230 |
| Net weight / gross weight                         | Kg    | 3.730 / 4.330 |
| Volume  | m³    | 22,57 / 23,39 |
| OTHERS  |       |               |
| Exhaust outlet                                    | Nº    | 2             |
| Exhaust outlet Ø                                  | mm    | 160           |
| Air extraction flow rate                          | m³/h  | 2 x 1.400     |
| Air consumption (6.5 bar)                         | NI/h  | 19.000        |
| Noise level                                       | dB    | <80           |

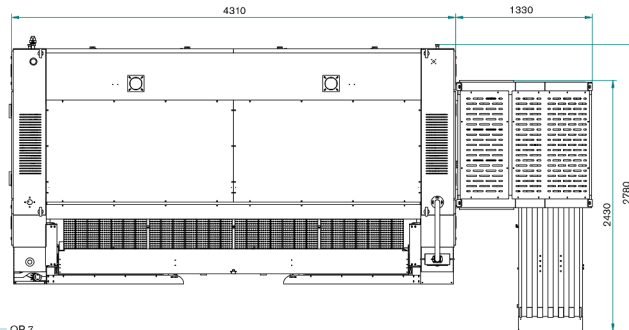
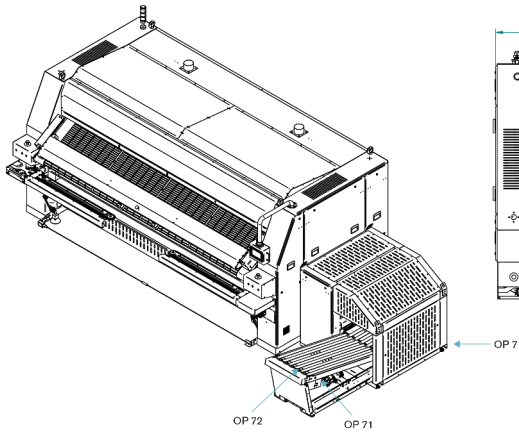
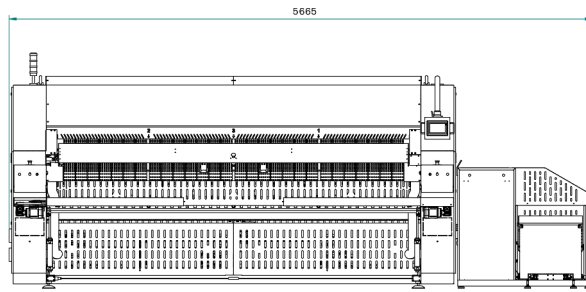
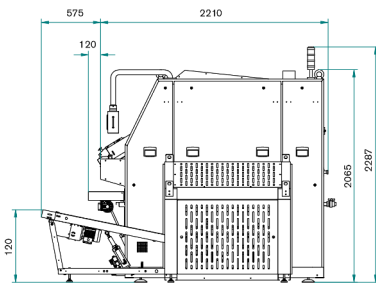
\* 50% residual moisture, 140gr/m² cotton, 100% roller utilization. Gas with atmospheric burner not available on 1000mm models.



- Standard:
- ST 1 - Warning light
  - ST 2 - Emergency stop
  - ST 3 - Lifting eye bolts (crane)
  - ST 4 - Exhaust outlet connection

- Options:
- OP 1 - Swing arm
  - OP 2 - Vacuum feed belts
  - OP 3 - Feeder: clips
  - OP 31 - Feeder: alignment guides
  - OP 4 - Linen reject (button)
  - OP 5 - Roll-off side stacker (only SPE models)
  - OP 51 - Reset button
  - OP 52 - Conveyor belt
  - OP 6 - Small pieces back collector (2 or 4 lanes)
  - OP 7 - Compact side stacker (only SPE models)
  - OP 71 - Reset button
  - OP 72 - Conveyor belt





Standard:  
 ST 1 - Warning light  
 ST 2 - Emergency stop  
 ST 3 - Lifting eye bolts (crane)  
 ST 4 - Exhaust outlet connection

Options:  
 OP 1 - Swing arm  
 OP 2 - Vacuum feed belts  
 OP 3 - Feeder: clips  
 OP 31 - Feeder: alignment guides  
 OP 4 - Linen reject (button)  
 OP 5 - Roll-off side stacker (only SPE models)  
 OP 51 - Reset button  
 OP 52 - Conveyor belt  
 OP 6 - Small pieces back collector (2 or 4 lanes)  
 OP 7 - Compact side stacker (only SPE models)  
 OP 71 - Reset button  
 OP 72 - Conveyor belt

