

VERSATILITY

OPL <> COIN: Standard models can be programmed as OPL or coin laundry version, central pay, etc.
 SINGLE <> STACKED: Models can be stacked on top of a washer or on another dryer.
 Control panels can be assembled between both drums for better ergonomics.
 Ideal for multiple solutions: hotels, hostels, campings, coin laundries, facility services (mops), gyms, etc.
 New gas heated models.

OUTSTANDING FEATURES

M PROGRAMMER: selection of time and temperature, user friendly and versatile (OPL or coin laundry version).
 Reduced drying times (less than 45 minutes).
 6,75 kw heating, option 4,5 kW (4,5 kW in Essential Model).

EFFICIENCY

Optimised airflow.
 Wide fluff filter as drawer.
 Efficient design.

ROBUSTNESS

White lacquered steel panels.
 Robust aluminium big door.
 Drawer as fluff filter (not in the door but as a specific drawer).
 Industrial fan and powerful airflow.
 Sturdy construction of the dryer structure and panels.

OTHERS

Galvanized drum.
 Electric and gas heated models.
 Grey skinplate panels.
 CE approved product



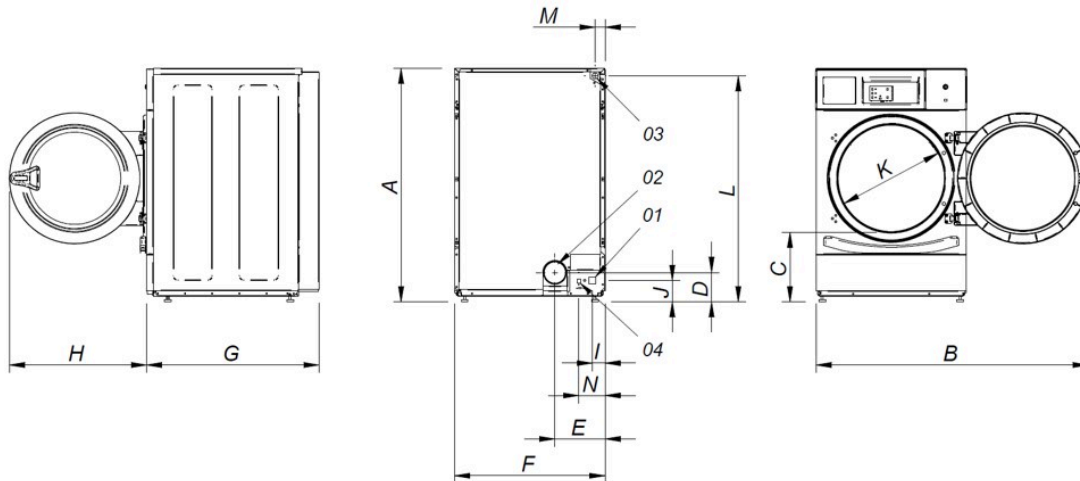
OPTIONS

- Natural gas heated tumble dryer
- Fire suppression system SFEX (only TOUCH II models)
- Plinth for better ergonomics HPW-HPD
- Plinth for better ergonomics in stainless steel for HPW-HPD
- Drum stainless steel AISI 304
- Outer casing stainless steel
- Reverse door opening
- Control panel mounted below (stacked dryer)
- Order HPL in complete container + compact packing (CHECK PRICE)
- 400V III /230 I/III 60Hz
- 440-480V III no N 50/60Hz (maritime)
- Several payment systems for self-service

CAPACITY & DRUM		UNIT.	HPD-8 M	
Capacity 1/18		Kg	8,9	
		lb	19,6	
Capacity 1/20		Kg	8	
		lb	17,6	
Ø Drum		mm	590	
		inch	23,23	
Drum length		mm	585	
		inch	23,03	
Drum volume		l	160	
		cu ft	5,65	
Ø Door hole		mm	480	
		inch	18,90	
Door center height		mm	554	
		inch	21,81	
Height from floor to bottom of door		mm	250	
		inch	9,84	
ELECTRIC HEATING				
Evaporation capacity		L/h	5,3	
		US gallon/h	1,40	
Hourly output		Kg/h	10,6	
		lb/h	23,4	
Installed heating power		kW	6,75 (1)	
Installed electrical power		kW	7,17 (1)	
Drum motor power		kW	0,37 (2)	
GAS HEATING				
Evaporation capacity (gas model)		L/h	5,3	
		US gallon/h	1,40	
Hourly output (gas model)		Kg/h	10,6	
		lb/h	23,4	
Installed gas heating power		kcal/h	5761	
		Btu/h	22861,3	
Installed gas heating power		kW	6,70	
Installed electrical power		kW	0,42	
Instant propane gas consumption (G31)		Kg/h	0,57	
		lb/h	1,26	
Instant natural gas consumption (G20)		m ³ /h	0,71	
		cfm	0,42	
Ø Gas inlet		BSPP ISO 228-1	1/2"	
VENTILATION				
Fan motor power		kW	0,37(2)	
Nominal air flow rate		m ³ /h	300	
		cfm	176,57	
Ø Fume exhaust		mm	100	
		inch	3,94	
HEAT EMISSION				
Maximum total heat emission		kW	0,45	
		Btu/h	1536,4	
Max. front heat emission		kW	0,32	
		Btu/h	1075,5	
CONNECTIONS				
Tension 230V - I + N + T		Nº x mm ² / A	E 3 x 10 / 40A	G 3 x 1,5 / 10A
Tension 230V - III + T		Nº x mm ² / A	4 x 4 / 25A	3 x 1,5 / 10A (3*)
Tension 400V - III + N + T		Nº x mm ² / A	5 x 2,5 / 16A	3 x 1,5 / 10A (4*)
NET DIMENSIONS / D. WITH PACKING				
Net / gross width		mm	680 / 710	
		inch	26,77 / 27,95	

Net / gross depth	mm	722 / 832
	inch	28,43 / 32,76
Net / gross height	mm	1.056 / 1.141
	inch	41,57 / 44,92
Net / gross weight	Kg	89 / 100,5
	lb	196,21 / 221,56
OTHERS		
Sound level	dB	62

- (1) Configurable via a terminal block system.
- (2) It's a single motor for both the drum and fan.
- (3*) Connect two phases and ground.
- (4*) Connect phase, neutral, and ground.



- 01 Power supply
- 02 Fumes output Ø 100
- 03 Gas inlet 1/2"
- 04 Ethernet connection (only TOUCH control)

	A	B	C	D	E	F	G	H	I	J	K	L	M	N
HPD-8	1.056	1.227	320	140	226	680	722	615	57	91	480	1.015	50	118
HPD-10	1.056	1.227	320	140	226	680	775	615	57	91	480	1.015	50	118