

FEATURES

- In a space of just 18 m², it dries and irons, folds and stacks linen.
- Folding types: longitudinal and crosswise.
- Can be operated by a single operator.
- Maximum output up to 290 kg/h.*
- Adjustable ironing speed up to 18 m/min.*
- Maximum temperature: 165°C.
- Automatic ironing speed control.
- Automatic cooling of the ironing roller.
- Available in one or two work lanes.
- Intuitive and programmable 7" touchscreen. Optional mobile arm.
- Fume extraction system with automatic fan cleaning.
- Stackers can be added (optional).
- Customisable with different accessories.

Featured options:

SALIDA LATERAL / Side exit



1 Apilador lat. compacto por palas
Side standard stacker by blades



2 Apilador lat. Roll-Off (por arrastre)
Side stacker Roll-Off

SALIDA POSTERIOR / Rear exit



3 Recogedor post. + bypass (2/4 vías)
Rear collector + bypass (2/4 lanes)



SMARTY
Plegadora prend. pequeñas
Small garment folder

*Maximum production and speed, variable depending on model, configuration and working conditions.

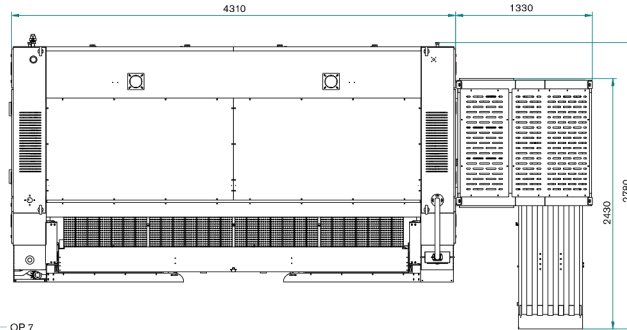
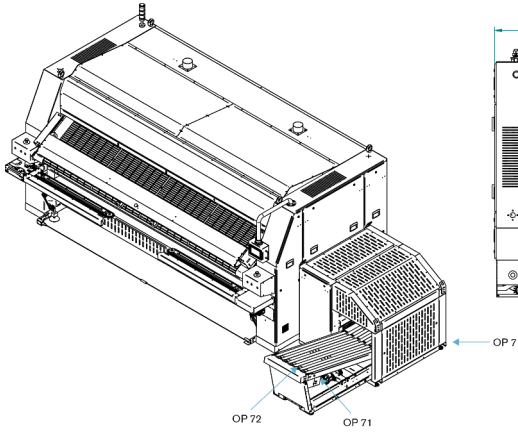
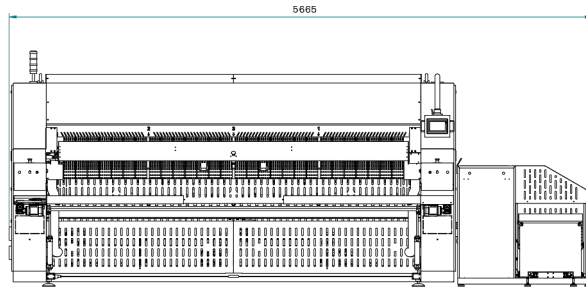
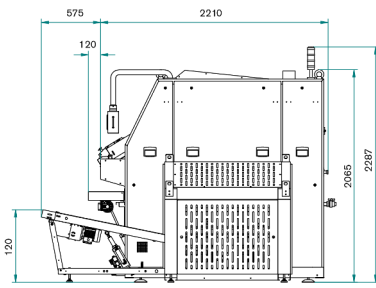


OPTIONS

- Compact side stacker by blades
- Roll-off side stacker
- Vacuum belts to help linen feeding
- Automatic 1 lane clamp feeder (needs option of vacuum feeding belts)
- By pass for rear exit
- Table for rear exit (H=860 mm. OPC bypass required)
- Four folding lanes (lengthfolds only)
- Rotating arm for the control panel
- 2 lanes rear collector small garments (it needs bypass option)
- Side output with table (without stacker) H=480 mm
- Side output with motorised table (without stacker) H=805 mm
- 4 lanes rear collector small garments (it needs bypass option)
- Double air pressure for thick linen
- Linen rejection system (dirty or torn)
- Remote service (SPE, SP, S)
- Maritime packaging SPE
- Maritime packaging for compact side stacker by blades
- Maritime packaging for Roll-off side stacker 1
- Maritime packaging for small pieces collector 2 lanes
- Maritime packaging for small pieces collector 4 lanes
- Different voltage from 400V 3~ +N 50 Hz

GENERAL DATA	UNIT.	SPE1000-2-3300
Theoretical production elec/steam	Kg/h	250-290
Theoretical production gas heating*	Kg/h	-
Theoretical production radiant gas burner (+20%)*	Kg/h	300-348
Ø Roll	mm	1.000
Working width	mm	3.300
Height floor-feeding	mm	1.050
Working speed	m/min	4-18
Control type	-	Digital
No. of programs	Nº.	20
MAIN FUNCTIONS		
Drying	-	YES
Ironing	-	YES
Longitudinal folding	-	YES
Cross folding	-	YES
Lateral stacking (Roll-Off or compact stacker)	-	OPT
FOLDING		
1 lane - lengthfold	Nº.	1-2
1 lane - crossfold	Nº	1-2-3
2 lanes - lengthfold	Nº	1-2
2 lanes - crossfold	Nº	1-2
4 lanes - lengthfold	Nº	1-2
4+ lanes - folding	Nº	NO
POWER		
Electric model - Consumption	A	200
Electric model - Heating power	kW	90
Electric model - Total electrical power	kW	93,4
Steam model - Consumption	Kg/h	260
Steam model - Power (max 12 bar)	kW	150
Steam model - Total electrical power	kW	3,9
Liquefied gas (LPG) model - Consumption	m³/h	5,9
Liquefied gas (LPG) model - Power	kW	159,1
Natural gas (NG) model - Consumption	m³/h	16,5
Natural gas (NG) model - Power	kW	155,7
Gas LPG / NG model - Total electrical power	kW	3,9
CONNECTIONS		
Ø Gas inlet	BSP	1"
Ø Steam inlet (12 bar max.)	BSP	1-1/4"
Ø Condensed (steam models)	BSP	1"
Ø Air inlet	mm	12
DIMENSIONS		
Net width / gross width	mm	4.440 / 4.600
Net depth / gross depth	mm	2.290 / 2.300
Net height / gross height	mm	2.480 / 2.290
Net weight / gross weight	Kg	4.460 / 5.110
Volume	m³	25,22 / 24,23
OTHERS		
Exhaust outlet	Nº	2
Exhaust outlet Ø	mm	160
Air extraction flow rate	m³/h	2 x 1.400
Air consumption (6.5 bar)	NI/h	21.000
Noise level	dB	<80

* 50% residual moisture, 140gr/m² cotton, 100% roller utilization. Gas with atmospheric burner not available on 1000mm models.



Standard:
 ST 1 - Warning light
 ST 2 - Emergency stop
 ST 3 - Lifting eye bolts (crane)
 ST 4 - Exhaust outlet connection

Options:
 OP 1 - Swing arm
 OP 2 - Vacuum feed belts
 OP 3 - Feeder: clips
 OP 31 - Feeder: alignment guides
 OP 4 - Linen reject (button)
 OP 5 - Roll-off side stacker (only SPE models)
 OP 51 - Reset button
 OP 52 - Conveyor belt
 OP 6 - Small pieces back collector (2 or 4 lanes)
 OP 7 - Compact side stacker (only SPE models)
 OP 71 - Reset button
 OP 72 - Conveyor belt

