

TOUCH II

User friendly and totally programmable microprocessor with 7" touch screen.
 USB Connection. Online platform free of charge for programming, telemetry, data analysis...thanks to the IoT.
 Videos show on display: ads, instructions, (useful for coin laundry).
 37 languages.

OUTSTANDING FEATURES

Reversing drum action as standard.
 Stainless steel drum as standard.
 Frequency inverter as standard.

EFFICIENCY

DOUBLE FLOW - mixed axial-radial airflow.
 Big fluff filter.

VERSATILITY

Make to order - customisation.
 Wet Cleaning.
 OPL > Self-service - Standard OPL model easily trasformable to coin laundry uses.

CONNECTIVITY

IoT- **DOMUSCONNECT** standard.
 Management of laundries: OPL and COIN.
 Remote payment (coin-laundry).

ERGONOMICS

Drawer as fluff filter, stainless steel mesh.
 Biggest door diameters.

MAINTENANCE

Hinged control panel: easy and ergonomic access.
 Technical menu: statistics for technicians.

OTHERS

Grey skinplate outer casing, stainless steel look.
 SOFT DRY - new drum with stamped holes.
 COOL DOWN - anti-wrinkle at the end of the cycle.
 Heating options: electric or gas, except DTT2-22 only gas.
 CE approved

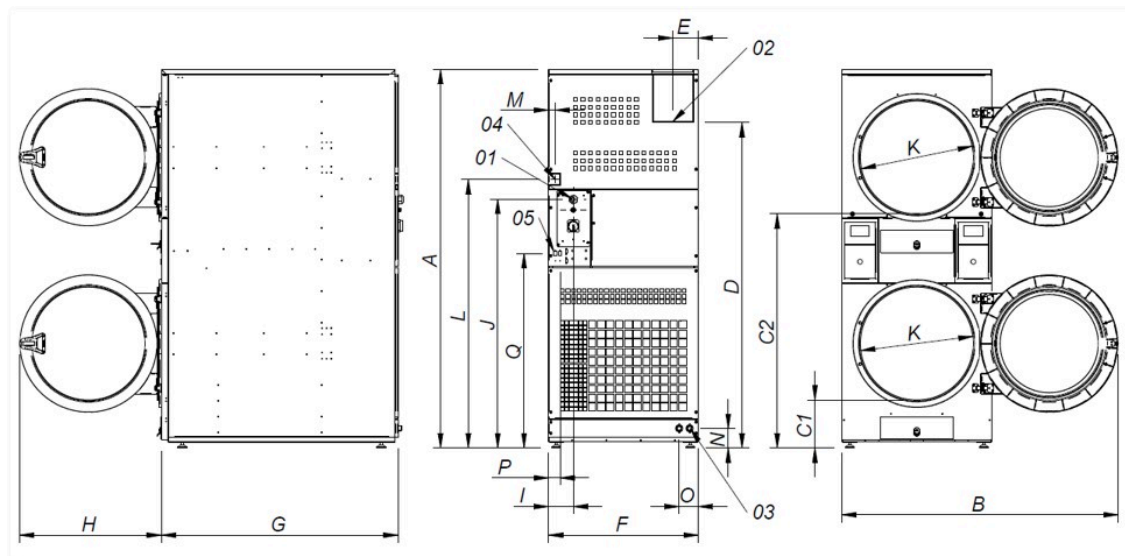


OPTIONS

- License IoT - DOMUSCONNECT
- Natural gas heated tumble dryer
- EFFICIENT DRY for STACK (order 1 unit per column)
- Double doorglass (order 1 unit per column)
- Fire extinguisher SFEX STACK (order 1 unit per column)
- Tropicalized model (order 1 unit per column)
- Opposite door opening (order 1 unit per column)
- Dosing-spraying of perfume (1 unit x column)
- Fluff filter with grid 0,3 mm (standard in STACK is 0,6 mm)
- Stainless steel front and side panels DTT2-14
- Back panel with air filter (STACK)
- Front panel in stainless steel DTT2-11/14/18
- Maritime wooden packing DTT2-14
- 400V III 50Hz 11/14/18kg
- 400V III 60Hz 11/14/18/22kg
- 230V III 60Hz 11/14/18kg G
- 230V III 60Hz 11/14/18kg E
- 440V/480V III 60Hz 11/14/18/22kg (maritime)
- Several payment systems for self-service

CAPACITY & DRUM		UNIT.	DTT2-14	
Capacity 1/18		Kg	15 x2	
		lb	33,1 x2	
Capacity 1/20		Kg	13,5 x2	
		lb	29,8 x2	
Ø Drum		mm	750	
		inch	29,53	
Drum length		mm	746	
		inch	24,02	
Drum volume		l	270	
		cu ft	9,53	
Ø Door hole		mm	574	
		inch	22,60	
Door center height		mm	547 / 1.522	
		inch	21,54 / 59,92	
Height from floor to bottom of door		mm	189 / 1.164	
		inch	7,32 / 45,83	
ELECTRIC HEATING				
Evaporation capacity		L/h	17,2 x2	
		US gallon/h	4,54 x2	
Hourly output		Kg/h	34,4 x2	
		lb/h	75,8 x2	
Installed heating power		kW	12 x2	
Installed electrical power		kW	25,34	
Drum motor power		kW	0,37 x2	
GAS HEATING				
Evaporation capacity (gas model)		L/h	16,9 x2	
		US gallon/h	4,465 x2	
Hourly output (gas model)		Kg/h	33,8 x2	
		lb/h	74,5 x2	
Installed gas heating power		kcal/h	10327 x2	
		Btu/h	40945,7 x2	
Installed gas heating power		kW	12 x2	
Installed electrical power		kW	1,34	
Instant propane gas consumption (G31)		Kg/h	1,03 x2	
		lb/h	2,27 x2	
Instant natural gas consumption (G20)		m ³ /h	1,27 x2	
		cfm	0,75 x2	
Ø Gas inlet		BSPP ISO 228-1	1/2"	
VENTILATION				
Fan motor power		kW	0,25 x2	
Nominal air flow rate		m ³ /h	500 x2	
		cfm	294,28 x2	
Ø Fume exhaust		mm	200 x2	
		inch	7,78 x2	
HEAT EMISSION				
Maximum total heat emission		kW	2,4	
		Btu/h	8193,9	
Max. front heat emission		kW	1,68	
		Btu/h	5735,8	
CONNECTIONS			E	G / S
Tension 230V - I + N + T		Nº x mm ² / A	-	3 x 1,5 / 16A
Tension 230V - III + T		Nº x mm ² / A	4 x 25 / 80A	3 x 1,5 / 16A (1*)
Tension 400V - III + N + T		Nº x mm ² / A	5 x 10 / 40A	3 x 1,5 / 16A (2*)
NET DIMENSIONS / D. WITH PACKING				
Net / gross width		mm	785 / 865	
		inch	30,91 / 34,06	

Net / gross depth	mm	1.106 / 1.189
	inch	43,54 / 46,81
Net / gross height	mm	1.980 / 2.126
	inch	77,95 / 83,70
Net / gross weight	Kg	275 / 293
	lb	606,27 / 645,95
OTHERS		
Sound level	dB	64



- 01 Power supply
- 02 Fumes output Ø 200
- 03 2 sprinkler valves 3/4"
- 04 Gas inlet 1/2"
- 05 Ethernet connection (only TOUCH control)

	A	B	C1	C2	D	E	F	G	H	I	J	K	L	M	N	O	P	Q
DTT2-11	1.980	1.447	259	1.234	1.680	135	785	972	735	130	1.275	575	1.406	35	103	100	60	1.018
DTT2-14	1.980	1.447	259	1.234	1.680	135	785	1.106	735	130	1.275	575	1.406	35	103	100	60	1.018
DTT2-18	1.980	1.447	259	1.234	1.680	135	785	1.242	735	130	1.275	575	1.406	35	103	100	60	1.018