

FEATURES

MAN-SHIRT

From-finisher: steam body former for both washed and dry-cleaned shirts, anoraks and jackets, without boiler. To be connected to a steam and compressed air supply.

- Powerful 3 HP fan.
- Pneumatic sleeve stretchers.
- Electronic card featuring ten ironing programs.
- Front heated and reclining panel.
- Button placket part of the dummy with suction.
- Rear pneumatic panel.
- Adjustable mirror.
- Adjustable dummy size by means of a pneumatic system.
- Voltage: 400V 3 50/60Hz.

MAN-COAT

Automatic tensioning finisher for classic coats, overcoats and similar garments.

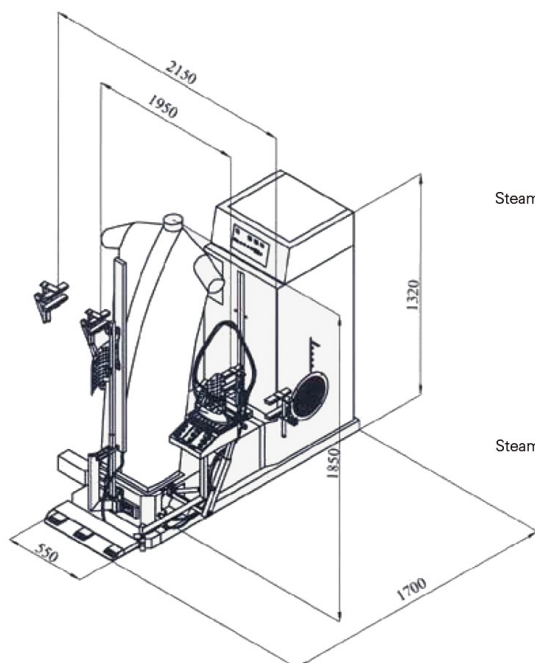
- Working cycle by a card with 9 stored finishing programs.
- Telescopic shape till 1.500mm.
- Special 350° revolving body form plus automatic front & rear paddle clamps.
- Sensor for the automatic research of the height of the garment.
- Double antistretching system in large (waist) and in height (length).
- Mechanical adjustable shoulder group and dedicated collar clamp.
- Damper for air-volume regulation.
- For central steam & compressed air supply line.
- Suitable for Wet Cleaning.



OPTIONS

- Steam iron assembly

GENERAL DETAILS	UNIT.	MAN-SHIRT
Boiler	-	NO
Boiler capacity	L	-
Group of iron	-	OPT
Steam gun	-	-
POWER		
Pump motor	HP	-
Boiler heater	kW	-
Fan motor	kW	3
CONNECTIONS		
Ø Water inlet	BSP	-
Ø Boiler exhaust (mod. with boiler)	BSP	-
Ø Steam inlet	BSP	1/2"
Ø Condensate outlet	BSP	1/2"
Steam pressure	bar	4-8
Steam consumption	Kg/h	20-30
Ø Air inlet	BSP	1/4"
Ø Air outlet	mm	1/4"
Air pressure	bar	6
Air Consumption	NI/min	20
DIMENSIONS / PACKING DIMENSIONS		
Net width / Gross width	mm	1.900 / 1.940
Net depth / Gross depth	mm	1.600 / 1.190
Net height / Gross height	mm	1.850 / 1.850
Net weight / Gross weight	kg	189 / 276
Volume	m ³	5,62 / 4,27
OTHERS		
Voltage	V	400V 3~ 50-60
Sound level	dB	70



Compressed air 1/4": Advisable pressure min. 4 Bar - max. 7 Bar

