

### TOUCH II

- TOUCH II: Easy-to-use microprocessor, fully programmable with a 7" touchscreen.
- USB port: configure, update, and analyse machines without internet connection.
- On-screen videos: add your logo, video advertisements or instructions for use (useful for self-service).
- Multilingual interface.
- 8 standard dosing signals and 6 extra as an option.

### G FACTOR

G FACTOR 200: 11 - 45 kg.  
G FACTOR 150: 60 - 80 kg.

### EFFICIENCY

Intelligent consumption: automatic adjustment of water and soap consumptions (standard).  
Optimal loading: manual indication of weight.  
Low water consumption.

### VERSATILITY

Make to order: customisation.  
OPL < > Self-service.  
Electric < > Hot water.  
Wet Cleaning features.

### CONNECTIVITY

IoT - **DOMUSCONNECT** standard.  
Remote technical service.  
Management of laundries: self-service & OPL.  
Remote payment.

### ERGONOMICS

Easy opening/closing system for door lock.  
Biggest door diameters:

- Ø 373 (11, 14 kg)
- Ø 460 (18, 22 y 28 kg)
- Ø 560 (35, 45, 60, 80 kg)

### MAINTENANCE

Hinged control panel: easy and ergonomic access.  
Technical menu: statistics for technicians.  
Equivalent parts for all models: electronic parts, contactors.

### OTHERS

Hard mounted washers.  
Anchoring to floor with anchoring base.  
Panels in skinplate.  
Drum and vat in stainless steel AISI 304.  
3 water inlets.  
CB and WRAS approved product. Option ETL.  
REG4 standard certified by KIWA.

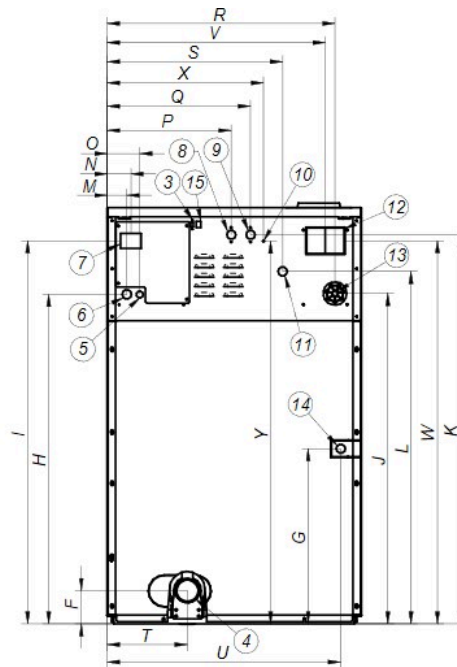
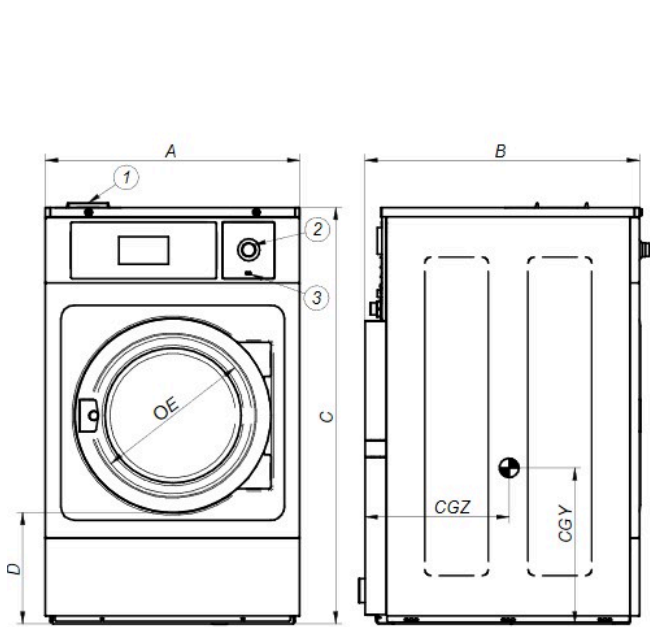


### OPTIONS

- DOMUS LAUNDRY App - Self service
- License IoT - DOMUSCONNECT
- Ready for ECOTANK XL conn. 1" for washers DLS/DHS-35C/45C
- DOSING PUMP KIT DQ-2
- EXTRA DOSING PUMP DB-1
- SLUICE - Drum with 8 mm holes for DLS-45C
- Anchoring base for DLS-45C
- Double drain kit for DLS-18/22/28/35C/45C
- Normally closed valve DLS-35C/45C
- Water recycle DLS-35C/45C
- 6 extra dosing signals card for DLS-11 to DLS-45C
- Reversible door: reverse door opening
- Tropicalized model: protected board (TOUCH II)
- Kit to transform an E or HW DLS-28/35C/45C to steam
- Stainless steel AISI 304 outer casing for DLS-45C
- Stainless steel AISI 304 top and front panel for DLS-35C/45C
- 440V 3~ (No N) 50/60Hz DLS-45C (marine)
- 230V 3~ 50/60Hz DLS-45C
- Kit watermark Australia
- Kit watermark Australia
- Several payment systems for self-service
- Auto unlock kit for the door (in case of power failure) DLS-DHS

DRUM	UNIT.	DLS-45C TOUCH II	
Capacity 1/9	Kg	47	
Capacity 1/10	Kg	42	
Volume	l	450	
Diameter	mm	860	
Depth	mm	720	
GENERAL DETAILS			
Washing speed / Spining speed	r.p.m.	45 / 644	
G Factor	-	200	
Maximum force transmitted	KN	5,9 ±8	
Frequency-dynamic force	Hz	7,58	
Noise level	dB	< 70	
Coin laundry version	-	YES	
Double drain	-	OPT.	
Weighing system / Tilting door	-	NO	
SLUICE option	-	YES	
DOOR			
Height center door / Height door	mm	735 / 440	
Diameter	mm	560	
POWER			
Motor	kW	6	
Electric heating power	kW	21	
Total electric power (electric model)	kW	22	
Total electric power (hw, steam model)	kW	6	
CONNECTIONS		E	HW/S
Tension 110V - I + N + T	Nº x mm² / A	-	-
Tension 230V - I + N + T	Nº x mm² / A	-	-
Tension 230V - III + T	Nº x mm² / A	3x16+T - 63A	3x4+T - 32A
Tension 400V - III + N + T	Nº x mm² / A	4x6+T - 40A	4x1,5+T - 16A
Steam inlet (Steam model)	inch	3/4"	3/4"
Maximum steam consumption (Steam model)	Kg/h	21	
Water inlet	inch	3/4"	
Water main pressuer	Kgs/cm²	2-4	
Maximum water consumption*	Lit/h	256,6*	
Drain	mm/inch	3"	
Drainage capacity	Lit/min	200	
DIMENSIONS / PACKING DIMENSIONS			
Net Width/Gross width	mm	979/ 1.125	
Net Depth/Gross depth	mm	1.325 / 1.440	
Net Height / Gross height	mm	1.411 / 1.640	
Net weight / Gross weight	kg	600 / 670	
Volume	m³	2,6	

\* Program No. 20: DLS-11 to DLS-45C with 75% load and program no. 2: DLS-60C and DLS-80C with 100% load



1. Soap dispenser
2. Emergency stop
3. USB port
4. Drain
5. Electric connection to liquid soap pumps
6. Electrical connection
7. Main switch
8. Auxiliar water inlet
9. Hot water inlet
10. Equipotential connection
11. Cold water inlet
12. Blur output / Water overload
13. Liquid soap connection
14. Steam connection
15. Ethernet port

		A	B	C	D	E	F	G	H	I	J	K	L	M	N	O	P	Q	R	S	T	U	V	W	X	Y	CGY	CGZ
DLS-45C	mm	979	1.325	1.411	370	560	154	623	1.139	1.307	1.116	1.322	1.211	61	74	101	545	625	885	715	262	917	855	1.281	760	1.373	635	760
	inch	38,54	52,17	55,55	14,57	22,05	6,06	24,53	44,84	51,46	43,94	52,05	47,68	2,40	2,91	3,98	21,46	24,61	34,84	28,15	10,31	36,10	33,66	50,43	29,92	54,06	25,00	29,92