

## TOUCH II

User friendly and totally programmable microprocessor with 7" touch screen.  
 USB Connection. Online platform free of charge for programming, telemetry, data analysis...thanks to the IoT.  
 Videos show on display: ads, instructions, (useful for coin laundry).  
 37 languages.

## OUTSTANDING FEATURES

Reversing drum action as standard.  
 Stainless steel drum as standard.  
 Frequency inverter as standard.

## EFFICIENCY

DOUBLE FLOW - mixed axial-radial airflow.  
 Big fluff filter.

## VERSATILITY

Make to order - customisation.  
 Wet Cleaning.  
 OPL > Self-service - Standard OPL model easily trasformable to coin laundry uses.

## CONNECTIVITY

IoT- **DOMUSCONNECT** standard.  
 Management of laundries: OPL and COIN.  
 Remote payment (coin-laundry).

## ERGONOMICS

Drawer as fluff filter, stainless steel mesh.  
 Biggest door diameters.

## MAINTENANCE

Hinged control panel: easy and ergonomic access.  
 Technical menu: statistics for technicians.

## OTHERS

Grey skinplate outer casing, stainless steel look.  
 SOFT DRY - new drum with stamped holes.  
 COOL DOWN - anti-wrinkle at the end of the cycle.  
 Heating options: electric or gas, except DTT2-22 XP only gas.  
 CE approved



## OPTIONS

- 400V 3~60Hz 11/14/18/22 XP
- CP KIT CENTRAL PAY STACK
- License IoT - DOMUSCONNECT
- Reduced power (12 kW) instead of 18 kW (Mod. 14, 18)
- EFFICIENT DRY - Humidity sensor for DTT2 (order 1 unit per column)
- Double doorglass (order 1 unit per column)
- Fire extinguisher SFEX STACK (order 1 unit per column)
- Tropicalized model (order 1 unit per column)
- Opposite door opening (order 1 unit per column)
- Dosing-spraying (1 unit x column)
- Fluff filter with grid 0,3 mm (standard in STACK is 0,6 mm)
- Front and side panels in AISI 304 stainless steel AISI 304 DTT2-14 XP
- Back panel with air filter (STACK)
- Front panel in AISI 304 stainless steel AISI 304 DTT2-11/14/18 XP
- Maritime wooden packing DTT2-14 XP
- 400V 3~ 50 Hz 11/14/18/22 XP
- 400V 3N 60 Hz 11/14/18/22 XP
- 230V 3~ 60 Hz 11/14/18/22 G XP
- 230V 3~ 60 Hz 11/14/18 E XP
- 440/480V 3~ 60 Hz 11/14/18/22 XP (marine)
- Several payment systems for self-service

CAPACITY & DRUM		UNIT.	DTT2-14 XP	
Capacity 1/18		Kg	15,0 x 2	
		lb	33,1 x 2	
Capacity 1/20		Kg	13,5 x 2	
		lb	29,8 x 2	
Ø Drum		mm	750	
		inch	29,5	
Drum length		mm	610	
		inch	24,02	
Drum volume		l	270	
		cu ft	9,53	
Ø Door hole		mm	574	
		inch	22,60	
Door center height		mm	547 / 1522	
		inch	21,54 / 59,92	
Height from floor to bottom of door		mm	189 / 1164	
		inch	7,32 / 45,83	
ELECTRIC HEATING				
Evaporation capacity		L/h *	14,5 x 2	
		US gallon/h *	3,83 x 2	
Hourly output		Kg/h **	29 x 2	
		lb/h **	64 x 2	
Installed heating power		kW	18 x 2	
Installed electrical power		kW	37,34	
Drum motor power		kW	0,37 x 2	
GAS HEATING				
Evaporation capacity (gas model)		L/h	15,7 x 2	
		US gallon/h	4,14 x 2	
Hourly output (gas model)		Kg/h	31,4 x 2	
		lb/h	69,2 x 2	
Installed gas heating power		kcal/h ***	17627 x 2	
		Btu/h ***	69996 x 2	
		kW ***	20,5 x 2	
Installed electrical power		kW	1,34	
Consumption of propane gas average (G31)		Kg/h	0,82 x 2	
		lb/h	1,82 x 2	
Instant natural gas consumption (G20)		m³/h	2,17 x 2	
		cfm	1,28 x 2	
Ø Gas inlet		BSPP ISO 228-1	3/4"	
VENTILATION				
Fan motor power		kW	0,25 x 2	
Nominal air flow rate		m³/h	500 x 2	
		cfm	294,28 x 2	
Ø Fume exhaust		mm	200	
		inch	7,87	
HEAT EMISSION				
Maximum total heat emission 10-8% (9-7%)		kW	3,3	
		Btu/h	11198	
Max. front heat emission 7-5% (4-2%)		kW	1,2	
		Btu/h	4199	
CONNECTIONS			E	G / S
Tension 230V - I + N + T		Nº x mm² / A	-	3 x 2,5 / 16 (5*)
Tension 230V - III + T		Nº x mm² / A	4 x 50 / 125	3 x 2,5 / 16 (5*)
Tension 400V - III + N + T		Nº x mm² / A	5 x 16 / 63	3 x 2,5 / 16 (6*)
NET DIMENSIONS / D. WITH PACKING				
Net / gross width		mm	785 / 865	
		inch	30,9 / 34,1	

Net / gross depth	mm	1135 / 1218
	inch	44,7 / 48
Net / gross height	mm	1994 / 2126
	inch	78 / 83,7
Net / gross weight	Kg	299 / 312
	lb	659 / 688
<b>OTHERS</b>		
Max. sound level (at 1m in front)	dB	64

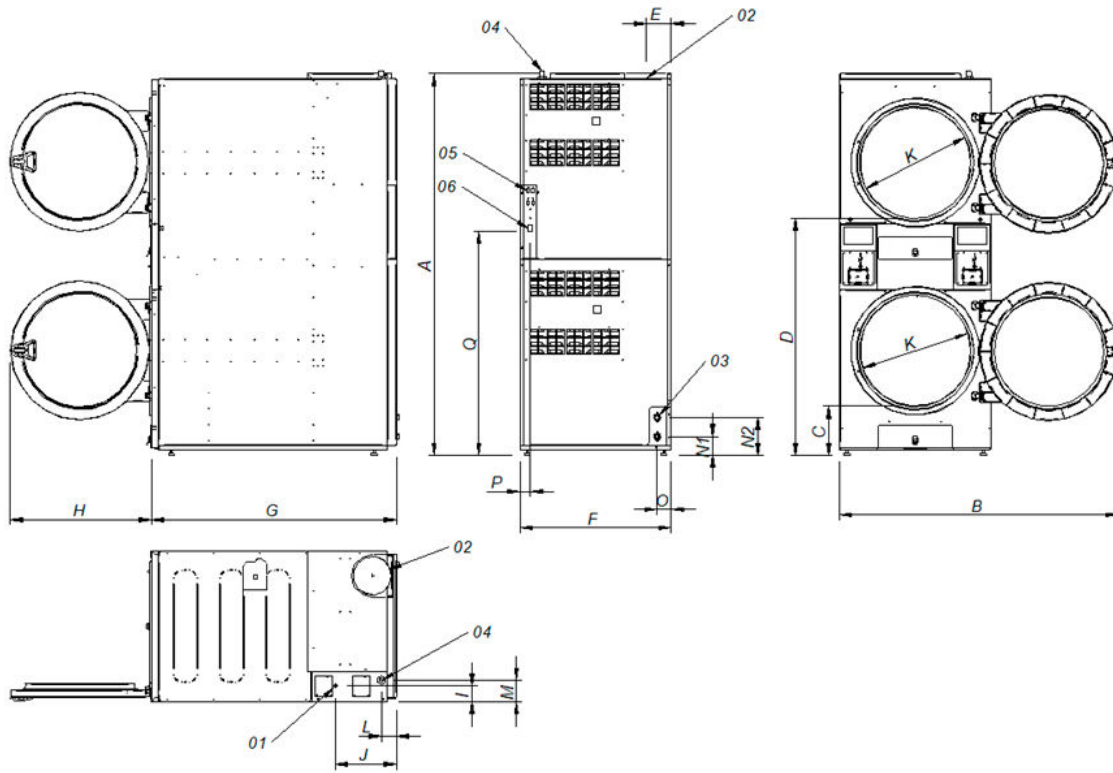
\* Drying conditions: full load (1/20) of towels, drying temperature 90°C.

\*\* Kg dry linen per hour. Drying conditions: full load (1/20) of towels, drying temperature 90°C.

\*\*\* Calculation of thermal power from PCI.

(5\*) Connect 2 phases and earth.

(6\*) Connect phase, neutral and earth.



- 01. Power supply
- 02 Fumes output Ø200
- 03 2 Sprinkler valves 3/4"
- 04 Gas inlet 3/4"
- 05 Ethernet connection (only touch control)
- 06 ON/OFF control rocker switch

		A	B	C	D	E	F	G	H	I	J	K	L	M	N1	N2	O	P	Q
DTT2-14 XP	mm	1980	1447	259	1234	131	785	1135	735	83	318	575	77	113	97	197	73	54	1163