

ELECTRONIC PROGRAMMER

M programmer: push buttons to control temperature and time.

OUTSTANDING FEATURES

Reversing drum action as standard.
Stainless steel drum as standard.
Frequency inverter as standard.

EFFICIENCY

DOUBLE FLOW - mixed axial-radial airflow.
Big fluff filter.

VERSATILITY

Make to order - customisation.
OPL > Coin laundry- Standard OPL model easily trasformable to coin laundry uses.

ERGONOMICS

Drawer as fluff filter, stainless steel mesh.
Biggest door diameters.
Opening sense of door adjustable on site.

MAINTENANCE

Hinged control panel: easy and ergonomic access.
Technical menu: statistics for technicians and maintenance with external console (with console option).
Easy to access to components.

OTHERS

Grey skinplate outer casing, stainless steel look.
NEW: Geared motor drive on models DTT-45 to DTT-80
SOFT DRY - new drum with stamped holes.
COOL DOWN - anti-wrinkle at the end of the cycle.
Heating options: electric, gas or steam.
CE approved

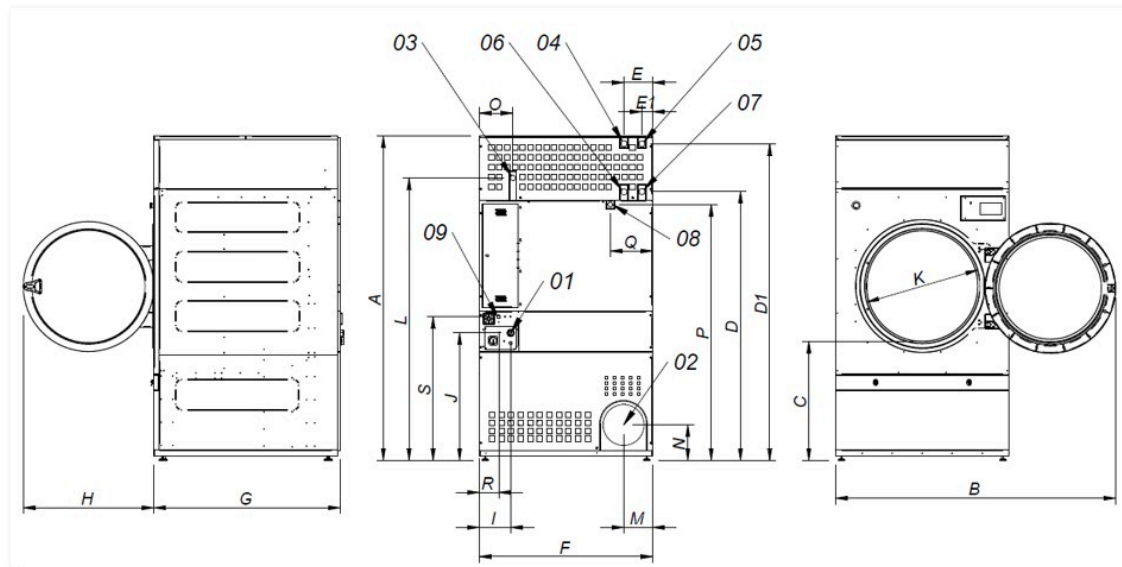


OPTIONS

- Back panel with air filter DTM-45/60/80
- Natural gas heated tumble dryer
- Manual sliding door DTM-45/60/80 (no double glass)
- Double doorglass DTM-35/45/60/80
- Opposite door opening DTM-45/60/80
- Back panel with air filter
- Fluff filter with grid 0,6 mm (standard is 0,3 mm)
- Fluff filter with grid 1,2 mm (standard is 0,3 mm)
- Stainless steel front and side panels DTM-80
- Front panel in stainless steel DTM-45/60/80
- Low pressure steam battery DTM-45/60/80
- Maritime wooden packing DTM-80
- 400V III 60Hz DTM-45/60/80 E/S
- 400V III 60Hz DTM-45/60/80 G
- 230V III 50Hz DTM-45/60/80 G
- 230V III 60Hz DTM-45/60/80 E/S
- 230V III 60Hz DTM-45/60/80 G
- 400V III 50Hz DTM-60/80
- 230V III 50Hz DTT-45/60/80 E
- 230V III 60Hz DTT-45/60/80 E
- 440/480V III 60Hz DTM-45/60/80

CAPACITY & DRUM	UNIT.	DTM-80
Capacity 1/18	Kg	83,3
	lb	183,6
Capacity 1/20	Kg	75
	lb	165,3
Ø Drum	mm	1.225
	inch	48,23
Drum length	mm	1.252
	inch	49,29
Drum volume	l	1.500
	cu ft	52,95
Ø Door hole	mm	802
	inch	31,57
Door center height	mm	1.275
	inch	50,20
Height from floor to bottom of door	mm	813
	inch	31,99
ELECTRIC HEATING		
Evaporation capacity	L/h	64
	US gallon/h	16,9
Hourly output	Kg/h	128,6
	lb/h	283,5
Installed heating power	kW	72
Installed electrical power	kW	74,65
Drum motor power	kW	1,50
GAS HEATING		
Evaporation capacity (gas model)	L/h	86,5
	US gallon/h	22,851
Hourly output (gas model)	Kg/h	173,1
	lb/h	381,6
Installed gas heating power	kcal/h	103181
	Btu/h	409456,9
Installed gas heating power	kW	120
Installed electrical power	kW	2,65
Instant propane gas consumption (G31)	Kg/h	10,28
	lb/h	22,66
Instant natural gas consumption (G20)	m ³ /h	12,71
	cfm	7,48
Ø Gas inlet	BSPP ISO 228-1	3/4"
STEAM HEATING		
Installed steam heating power	kW	128
	Btu/h	436754
Installed electrical power	kW	2,65
Steam consumption (8 barG) - Standard	kg/h	171
Steam consumption (116 psiG)	lb/h	206
Steam pressure	barG	7 - 12
	psiG	101,5 - 178
Standard steam inlet - outlet	BSPT- ISO7.1	1"
Standard steam inlet - outlet	NPT ANSI B1.20.1 Tapered	1"
Steam consumption (5 barG) - Low Pressure	kg/h	147
Steam consumption (72,5 psiG) - Low Pressure	lb/h	177,1
Steam pressure (low pressure)	barG	4 - 7
	psiG	58 - 101,5
Low pressure steam inlet - outlet	BSPT- ISO7.1	1" 1/2
THERMAL OIL HEATING		
Installed heating power	kW	128
Installed electrical power	kW	2,65
Fluid consumption (T max 175°C)	m ³ /h	10

Thermal oil connection	BSP	1" 1/2	
VENTILATION			
Fan motor power	kW	1,1	
Nominal air flow rate	m ³ /h	3.000	
	cfm	1765,73	
Ø Fume exhaust	mm	300	
	inch	11,81	
HEAT EMISSION			
Maximum total heat emission	kW	6,48	
	Btu/h	22123,6	
Max. front heat emission	kW	2,88	
	Btu/h	9832,7	
CONNECTIONS			
Tension 230V - I + N + T	Nº x mm ² / A	E	G / S
Tension 230V - III + T	Nº x mm ² / A	-	-
Tension 400V - III + N + T	Nº x mm ² / A	5 x 50 / 125A	5 x 2,5 / 25A
NET DIMENSIONS / D. WITH PACKING			
Net / gross width	mm	1.270 / 1.330	
	inch	50 / 52,36	
Net / gross depth	mm	1.598 / 1.705	
	inch	62,91 / 67,13	
Net height / gross height without heating	mm	2.380 /*2.200	
	inch	93,70 / *86,61	
Net / gross weight	Kg	657 / 715	
	lb	1.448,44 / 1.576,31	
OTHERS			
Sound level	dB	67	



- 01 Power supply
- 02 Fumes output Ø 300
- 03 Gas inlet 1/2"
- 04 Steam inlet 1" (DTM-45)
- 05 Steam inlet 1" (DTM-60-80)
- 06 Condensate outlet 1" (DTM-45)
- 07 Condensate outlet 1" (DTM-60-80)
- 08 Sprinkler valve 3/4"
- 09 Ethernet connection (only TOUCH Control)

	A	B	C	D	D1	E	E1	F	G	H	I	J	K	L	M	N	O	P	Q	R	S
DTM-45	2.380	2.045	874	1.981	2.311	211	80	1.270	1.106	956	248	935	802	2.088	214	240	244	1.841	308	160	1.053
DTM-60	2.380	2.045	874	1.981	2.311	211	80	1.270	1.366	956	248	935	802	2.088	214	240	244	1.841	308	160	1.053
DTM-80	2.380	2.045	874	1.981	2.311	211	80	1.270	1.598	956	248	935	802	2.088	214	240	244	1.841	308	160	1.053