

TOUCH II

- TOUCH II: Easy-to-use microprocessor, fully programmable with a 7" touchscreen.
- USB port: configure, update, and analyse machines without internet connection.
- On-screen videos: add your logo, video advertisements or instructions for use (useful for self-service).
- Multilingual interface.
- 8 standard dosing signals and 6 extra as an option.

G FACTOR

High G-factor of 500 (11-18 kg), 450 (22-80 kg), and 350 (100-120 C).
Reduces residual moisture

EFFICIENCY

Optimal loading: manual indication of weight.
Intelligent consumption: automatic adjustment of water and soap consumptions (standard).
Water Recovery tanks ready: **ECOTANK** and **ECOTANK XL**.
Low water consumption.

VERSATILITY

Make to order: customisation.
OPL < > COIN (mod. DHS-11 up to DHS-45C).
Electric < > Hot water.
Drain valve < > Pump (DHS-11/14).
Wet Cleaning features.

CONNECTIVITY

IoT - **DOMUSCONNECT** standard.
Remote technical service.
Management for laundries: OPL and COIN.
Remote payment DOMUS LAUNDRY App (mod. DHS-11 up to DHS-45C).

ERGONOMICS

Easy opening/closing system for door lock.
Biggest door diameters:

- Ø 373 (11, 14 kg)
- Ø 460 (18, 22, 28 kg)
- Ø 560 (35, 45, 60, 80 kg)
- Ø 700 (100, 120 kg)

MAINTENANCE

Hinged control panel: easy and ergonomic access.
Technical menu: statistics for technicians.

OTHERS

Grey skinplate outer casing.
Drum and vat in stainless steel AISI 304.
Detergent dispenser with 4 compartments.
Electronic control of imbalance with frequency control.
LOADING AID feature: water and rotation control.
Soft mounted washers, free standing.
CB and WRAS approved product. Option ETL.
REG4 standard certified by KIWA.

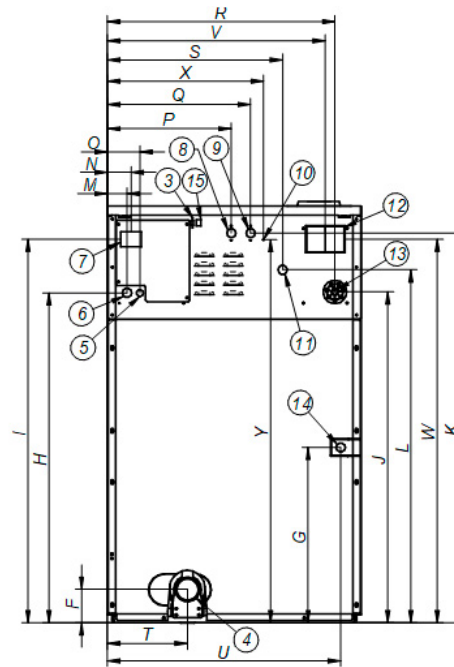
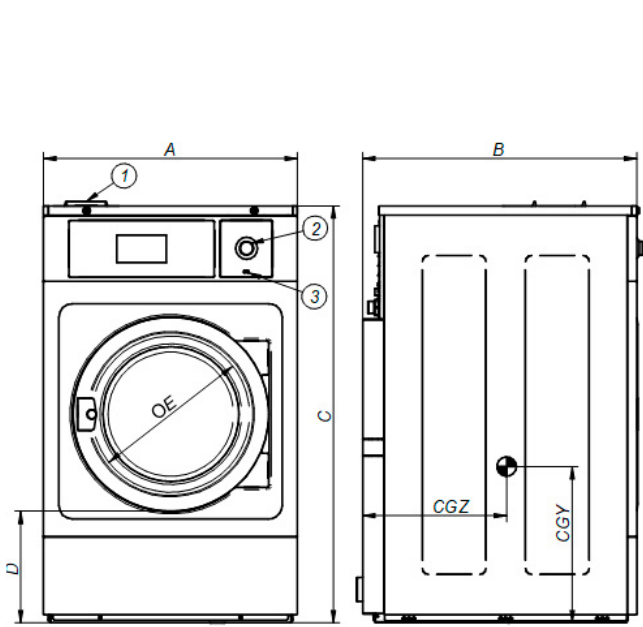


OPTIONS

- DOMUS LAUNDRY App - Self service
- License IoT - DOMUSCONNECT
- Ready for ECOTANK XL conn. 3/4" for washers DLS/DHS-11/14/18/22/28
- DOSING PUMP KIT DQ-2
- EXTRA DOSING PUMP DB-1
- Double drain kit for DHS-14/18/22
- Drain pump kit for DHS-11/14
- Kit watermark Australia
- Normally closed valve DHS-14
- WATER RE-CYCLE: recirculation of bath water DHS-14. Not with ECOTANK
- Leveling feet for DHS-11 to DHS-28
- Weighing sensor system on feet for DHS-11 to DHS-45C. Includes kit 6 extra dosing signals
- 6 extra dosing signals card for DHS-11 to DHS-45C. Total of 14 signals
- Silicon gasket DHS-11/14
- Reversible door: reverse door opening
- Tropicalized model: protected board for DHS-11 - 45C / DLS-11 - 80C
- Steam kit DHS-11/14/18/22
- Plinth for mops with drawer DHS-14 stainless steel
- Plinth for mops with drawer DHS-14 SKINPLATE
- Stainless steel plinth for DHS-14 to level all machines from top
- Skinplate plinth for DHS-14 to level all machines from top
- Stainless steel plinth for DHS-14 to align the doorbase at 850 mm
- Skinplate plinth for DHS-14 to align the doorbase at 850 mm
- Stainless steel AISI 304 outer casing for DHS-14
- Stainless steel AISI 304 front and top panel for DHS-14
- 440V 3~ (No N) 50/60 Hz DHS-14 (marine)
- Several payment systems for self-service
- Auto unlock kit for the door (in case of power failure) DLS-DHS

DRUM	UNIT.	DHS-14 TOUCH II	
Capacity 1/9	Kg	14	
Capacity 1/10	Kg	13	
Volume	l	130	
Diameter	mm	620	
Depth	mm	430	
GENERAL DETAILS			
Washing speed / Spining speed	r.p.m.	50 / 1.204	
G Factor	-	500	
Maximum force transmitted	KN	2,49 ±1,05	
Frequency-dynamic force	Hz	16,7	
Noise level	dB	< 70	
Coin laundry version	-	Sí	
Double drain	-	OPT.	
Weighing system / Tilting door	-	OPT.	
SLUICE option	-	NO	
DOOR			
Height center door / Height door	mm	700 / 440	
Diameter	mm	373	
POWER			
Motor	kW	1,1	
Electric heating power	kW	9	
Total electric power (electric model)	kW	9,4	
Total electric power (hw, steam model)	kW	1,1	
CONNECTIONS		E	HW/S
Tension 110V - I + N + T	Nº x mm² / A	-	-
Tension 230V - I + N + T	Nº x mm² / A	2x10+T - 50A	2x1,5+T - 16A
Tension 230V - III + T	Nº x mm² / A	3x4+T - 32A	-
Tension 400V - III + N + T	Nº x mm² / A	4x1,5+T - 16A	-
Steam inlet (Steam model)	inch	1/2"	
Maximum steam consumption (Steam model)	Kg/h	8,5	
Water inlet	inch	3/4"	
Water main pressuer	Kgs/cm²	2-4	
Maximum water consumption*	Lit/h	88,8*	
Air inlet	Kg/cm²	-	
Drain	mm/inch	3"	
Drainage capacity	Lit/min	200	
DIMENSIONS / PACKING DIMENSIONS			
Net Width/Gross width	mm	788 / 850	
Net Depth/Gross depth	mm	869 / 1.015	
Net Height / Gross height	mm	1.307 / 1.600	
Net weight / Gross weight	kg	236 / 274,5	
Volume	m³	1,38	

* Program No. 20: DHS-11 to DHS-45C with 75% load and program no. 2: DHS-60C and DHS-80C with 100% load



1. Soap dispenser
2. Emergency stop
3. USB port
4. Drain
5. Electric connection to liquid soap pumps
6. Electrical connection
7. Main switch
8. Auxiliar water inlet
9. Hot water inlet
10. Equipotential connection
11. Cold water inlet
12. Blur output / Water overload
13. Liquid soap connection
14. Steam connection
15. Ethernet port

		A	B	C	D	E	F	G	H	I	J	K	L	M	N	O	P	Q	R	S	T	U	V	W	X	Y	CGY	CGZ
DHS-14	mm	788	869	1.307	440	373	125	385	1.034	1.202	1.037	1.221	1.106	61	74	101	385	445	706	544	243	718	676	1.202	485	1.201	450	651
	inch	31,02	34,21	51,46	17,32	14,69	4,92	15,16	40,71	47,32	40,83	48,07	43,54	2,40	2,91	3,98	15,16	17,52	27,80	21,42	9,57	28,27	26,61	47,28	19,09	47,28	17,72	25,63