

### OUTSTANDING FEATURES

TOUCH II microprocessor: easy to use and fully programmable with 4.3" touch screen.  
Frequency control standard.  
Reverse drum action standard.  
USB port.  
Remote connection.

### VERSATILITY

OPL<>COIN  
The same model can be easily transformed.  
Ideal for many sectors: hotels, camp sites, self-service laundries, gyms, etc.

### EFFICIENCY

EFFICIENT DRY: humidity sensor.  
Improved air flow system.  
Big fluff filter as a drawer.  
Efficient design.

### CONNECTIVITY

Standard IoT **DOMUSCONNECT**  
Management for laundries: OPL and self-service.

### ROBUSTNESS

Outer casing in grey skinplate.  
Robust aluminium door.  
Drawer as a fluff filter (not in the door but in a dedicated drawer).  
Industrial fan and powerful airflow.  
More robust construction of structure and panels.

### OTHERS

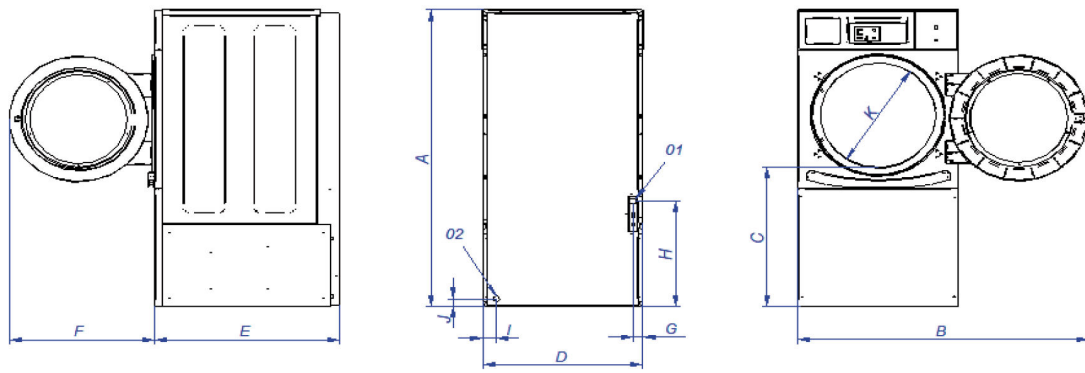
FULL SCREEN FILTER: Fluff filter as drawer, not in the door.  
CE-certified



### OPTIONS

- DOMUS LAUNDRY App - Self service
- License IoT - DOMUSCONNECT
- Outer casing stainless steel for HPI AISI 304
- Reverse door opening
- Tropicalized model (TOUCH II)
- Several payment systems for self-service
- 400V 3~ 50/60Hz HPI (to check price)
- 440-480V 3~ 60 Hz (marine)

CAPACITY & DRUM		UNIT.	HPD-10 TOUCH II HPI
Capacity 1/18		Kg	11,1
		lb	24,5
Capacity 1/20		Kg	10
		lb	22
Ø Drum		mm	590
		inch	23,2
Drum length		mm	690
		inch	27,2
Drum volume		l	200
		cu ft	7,06
Ø Door hole		mm	480
		inch	18,9
Door center height		mm	918
		inch	36,1
Height from floor to bottom of door		mm	614
		inch	24,17
ELECTRIC HEATING			
Evaporation capacity		L/h	4,3
		US gallon/h	1,11
Hourly output		Kg/h	8,6
		lb/h	18,96
Installed heating power		kW	2
Installed electrical power		kW	2,74
POWER AND VENTILATION			
Drum motor power		kW	0,37
Fan motor power		kW	0,17
Nominal air flow rate		m <sup>3</sup> /h	Variable
		cfm	Variable
Ø Fume exhaust		mm	-
		inch	-
HEAT EMISSION			
Maximum total heat emission		kW	0,3
		Btu/h	1075
Max. front heat emission		kW	0,2
		Btu/h	753
CONNECTIONS			
			E
Tension 230V - I + N + T		Nº x mm <sup>2</sup> / A	3 x 4 / 32A
Tension 230V - III + T		Nº x mm <sup>2</sup> / A	- -
Tension 400V - III + N + T		Nº x mm <sup>2</sup> / A	- -
NET DIMENSIONS / D. WITH PACKING			
Net / gross width		mm	680 / 710
		inch	26,8 / 28
Net / gross depth		mm	784 / 832
		inch	30,09 / 32,8
Net / gross height		mm	1.400 / 1.520
		inch	55,1 / 59,8
Net / gross weight		Kg	169 / 178
		lb	373 / 393
OTHERS			
Sound level		dB	61



01. Electrical connection  
 02. Condensed water evacuation  
 3000mm hose (1) and 12mm  
 diameter  
 (1) For greater distances,  
 consult the installation manual.

		A	B	C	D	E	F	G	H	I	J	K
HPD-8 TOUCH II HPI	mm	1.400	1.227	665	680	784	615	42	505	60	50	480
HPD-10 TOUCH II HPI	mm	1.400	1.227	665	680	784	615	42	505	60	50	480